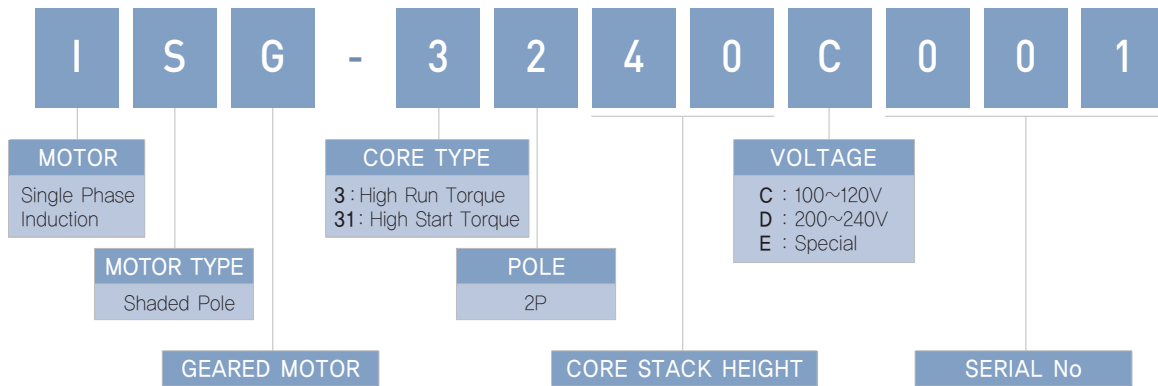
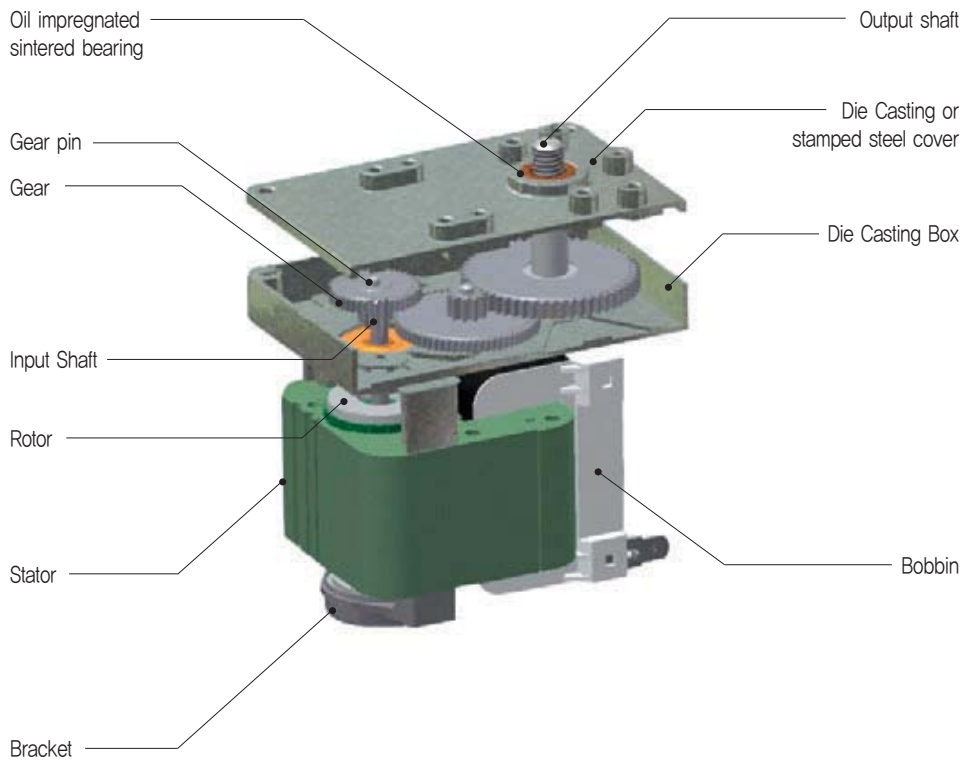


CODING SYSTEM

■ Coding System



■ Typical Geared Motor Construction



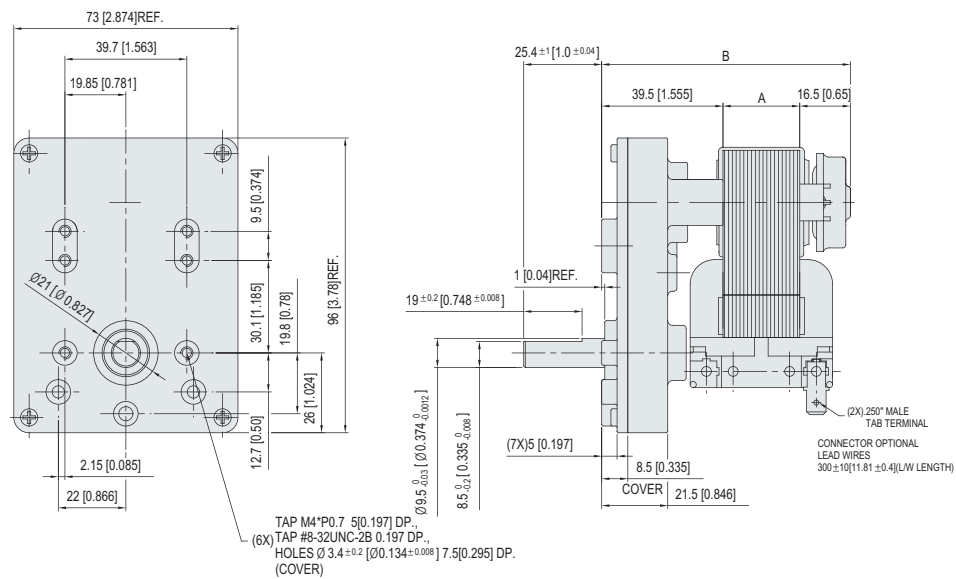


GEAR BOX SQ Series motor ISG-3 Type

Maximum permissible torque of gear box : 145kgf-cm Max.

DIMENSION

UNIT : mm[inch]



Maximum permissible torque of gear box | 20

Type	A		B	
ISG-3215	15	0.591	71	2,795
ISG-3220	20	0,787	76	2,992
ISG-3225	25	0,984	81	3,189
ISG-3230	30	1,181	86	3,386
ISG-3240	40	1,575	96	3,780
ISG-3250	50	1,969	106	4,173

REDUCTION RATIOS & OUTPUT SPEED

Ratio	47.9	57.2	68.4	75.3	116.5	124.9	144	192.1	210.8	
Gear Steps	3								4	
Output Speed(Ref.)	@ 60Hz	75.2	62.9	52.6	47.8	30.9	28.8	25.0	18.7	17.1
	@ 50Hz	62.6	52.4	43.9	39.8	25.8	24.0	20.8	15.6	14.2

- Depending on Motor spec and Gear Box reduction ratio combination, Output speed and Torque specification can differ.
- If Cooling Fan and Clutch installed, Refer to Accessory Part. (Due to Fan and Clutch installation, motor's length is extended).
- Please contact our sales department regarding other gear ratio.
- The speed is calculated by dividing the motors synchronous speed (50Hz : 3,000rpm, 60Hz : 3,600rpm) by the gear ratio.

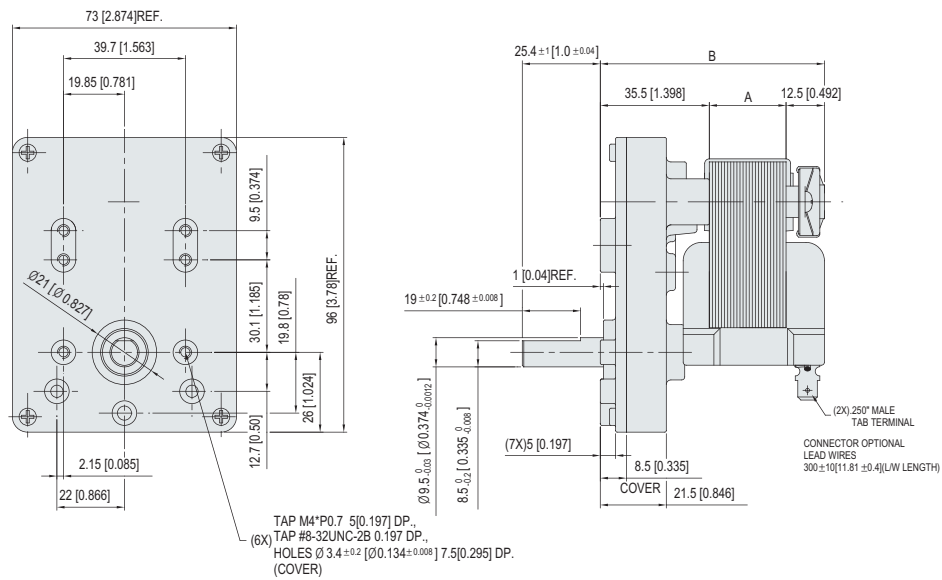


GEAR BOX SQ Series motor ISG-31 Type

Maximum permissible torque of gear box : 145kgf-cm Max.

DIMENSION

UNIT : mm[inch]



Type	A		B	
ISG-31215	15	0.591	63	2,480
ISG-31220	20	0.787	68	2,677
ISG-31225	25	0.984	73	2,874
ISG-31230	30	1,181	78	3,071

REDUCTION RATIOS & OUTPUT SPEED

Ratio	124.9	192.1	443.7	517.6	582.3	664	844.8	1240.2	
Gear Steps	3			4					
Output Speed(Ref.)	@ 60Hz	28.8	18.7	8.1	7.0	6.2	5.4	4.3	2.9
	@ 50Hz	24.0	15.6	6.8	5.8	5.2	4.5	3.6	2.4

- Depending on Motor spec and Gear Box reduction ratio combination, Output speed and Torque specification can differ.
- If Cooling Fan installed, Refer to Accessory Part, (Due to Fan installation, motor's length is extended).
- Please contact our sales department regarding other gear ratio.
- The speed is calculated by dividing the motors synchronous speed (50Hz : 3,000rpm, 60Hz : 3,600rpm) by the gear ratio.