

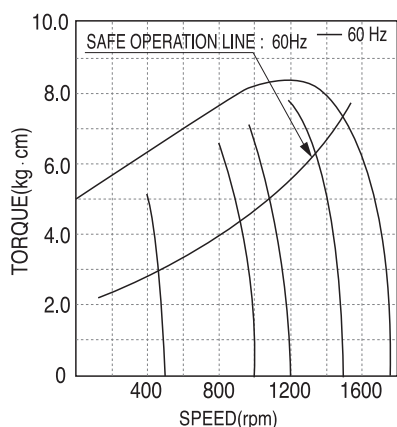
50Hz

GEAR RATIO		3	3.6	5	6	7.5	9	10	12.5	15	18	20	25	30	36	40	50	60	75	90	100	120	150	180	200
MODEL	rpm	500	416	300	250	200	166	150	120	100	83	75	60	50	41	37	30	25	20	16	15	12	10	8	7.5
S9KC□B()	kg·cm	12.2	14.6	20.3	24.3	30.4	36.5	40.5	45.6	54.8	65.7	73.0	82.5	99.0	119	132	165	198	200	200	200	200	200	200	200
S9KC□B()-S	N·m	1.196	1.431	1.989	2.381	2.989	3.577	3.969	4.469	5.370	6.439	7.154	8.085	9.702	11.66	12.94	16.17	19.40	19.60	19.60	19.60	19.60	19.60	19.60	19.60

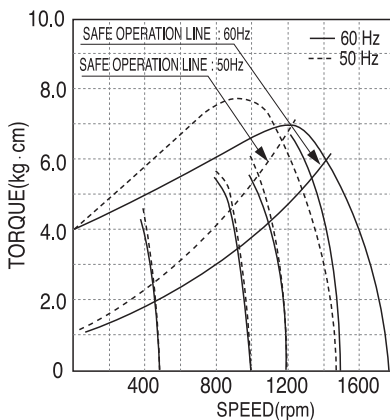
60Hz

GEAR RATIO		3	3.6	5	6	7.5	9	10	12.5	15	18	20	25	30	36	40	50	60	75	90	100	120	150	180	200
MODEL	rpm	600	500	360	300	240	200	180	144	120	100	90	72	60	50	45	36	30	24	20	18	15	12	10	9
S9KC□B()	kg·cm	9.72	11.7	16.2	19.4	24.3	29.2	32.4	36.5	43.8	52.6	58.4	66.0	79.2	95.0	106	132	158	177	200	200	200	200	200	200
S9KC□B()-S	N·m	0.953	1.147	1.588	1.901	2.381	2.862	3.175	3.577	4.292	5.155	5.723	6.468	7.762	9.310	10.39	12.94	15.48	17.35	19.60	19.60	19.60	19.60	19.60	19.60

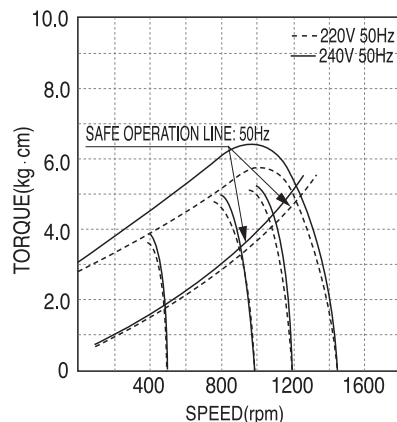
- ❖ The code in □ of gearhead model is for gear ratio.
- ❖ It is the permissible torque of the assembled motor and gearhead.
- ❖ The permissible torque of the motor and inter-decimal gearhead is 200 kg·cm.
- ❖ ■ color indicates that the output shaft of the geared motor rotates in the same direction as the output shaft of the motor. Others indicate rotation in the opposite direction.
- ❖ Rpm is based on synchronous speed (50Hz: 1500rpm, 60Hz: 1800rpm) divided by gear ratio. The actual rotation speed can be 2~20% less than displayed value depending on the load.
- ❖ () is for marking 'L' type or 'H'. 'L' should be used with motor 'L' and 'H' should be used with motor 'H'.



- ▲ S9I60GA()-S12 S9I60GA()-S24
- S9I60GA()-S12(TP) S9I60GA()-S24(TP)
- S9I60GA()-S12CE S9I60GA()-S24CE
- S9I60GB()-S12 S9I60GB()-S24
- S9I60GB()-S12(TP) S9I60GB()-S24(TP)
- S9I60GB()-S12CE S9I60GB()-S24



- ▲ S9I60GC()-S12 S9I60GC()-S24
- S9I60GC()-S12(TP) S9I60GC()-S24(TP)
- S9I60GC()-S12CE S9I60GC()-S24CE
- S9I60GD()-S12 S9I60GD()-S24
- S9I60GD()-S12(TP) S9I60GD()-S24(TP)
- S9I60GD()-S12CE S9I60GD()-S24

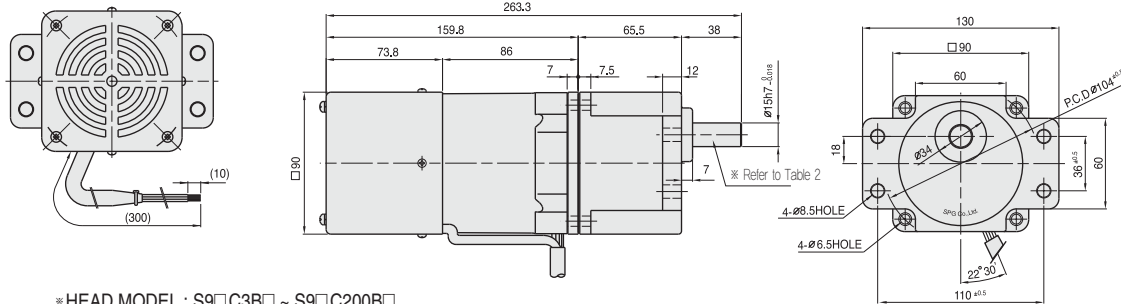


- ▲ S9I60GX()-S12 S9I60GX()-S24
- S9I60GX()-S12CE S9I60GX()-S24CE

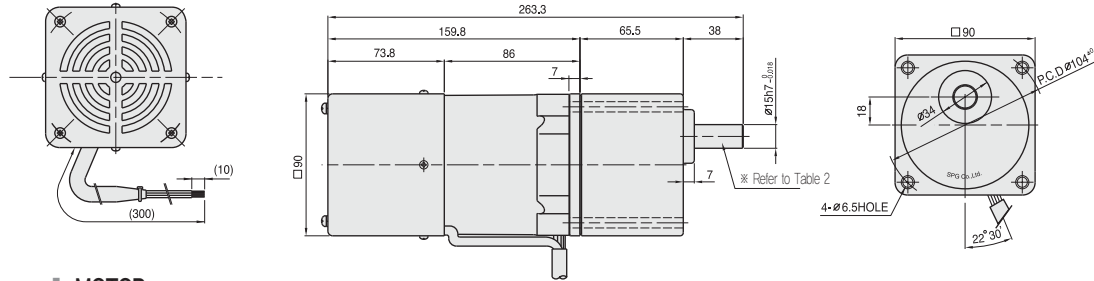
DIMENSIONS

+ GEARED MOTOR

* MOTOR MODEL : S9160□□□-S12, S9160□□□-S24
 * HEAD MODEL : S9□C3B□-S ~ S9□C200B□-S

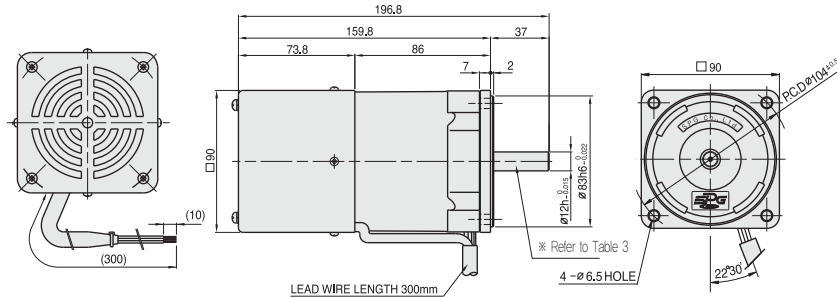


* HEAD MODEL : S9□C3B□ ~ S9□C200B□



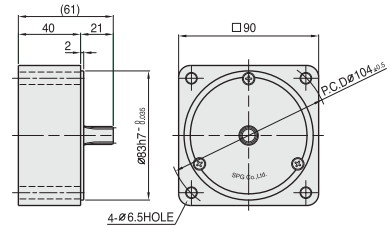
+ MOTOR

* MOTOR MODEL : S9160□□□-S12, S9160□□□-S24



+ INTER-DECIMAL GEAR HEAD

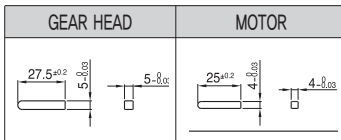
* MODEL : S9GX10B(H,L)-S



+ WEIGHT - (Table1)

PART	WEIGHT(kg)	
MOTOR	2.93	
DECIMAL GEAR HEAD	0.65	
GEAR HEAD	S9□C3B□ ~S9□C10B□	1.21
	S9□C12.5B□ ~S9□C20B□	1.30
	S9□C25B□ ~S9□C60B□	1.40
	S9□C75B□ ~S9□C200B□	1.45

+ KEY SPEC



+ SPEC for output shaft of gearhead - (Table2)

MODEL	TYPES OF OUTPUT SHAFT
STRAIGHT TYPE	
	S9SC3B□ ~S9SC200B□
D-CUT TYPE	
	S9DC3B□ ~S9DC200B□
KEY TYPE	
	S9KC3B□ ~S9KC200B□

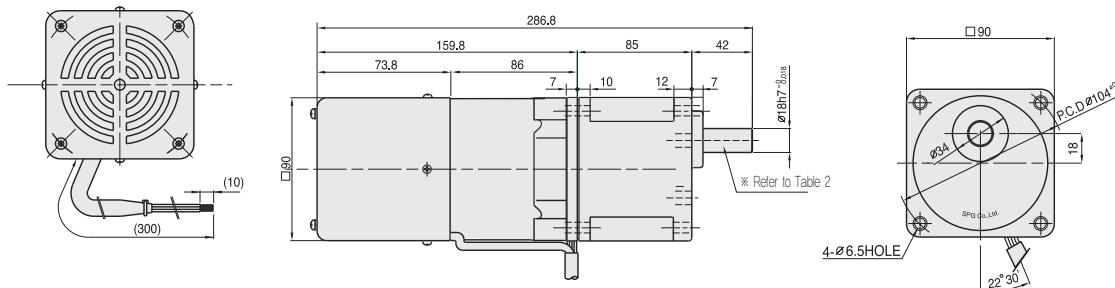
+ SPEC for output shaft of motor - (Table3)

MODEL	TYPES OF OUTPUT SHAFT
GEAR TYPE	
	S9160□□-S12 S9160□□-S24
STRAIGHT TYPE	
	S9160S□□-S12 S9160S□□-S24
D-CUT TYPE	
	S9160D□□-S12 S9160D□□-S24
KEY TYPE	
	S9160K□□-S12 S9160K□□-S24

DIMENSIONS

+ GEARED MOTOR

- * MOTOR MODEL : S9160G□H-S12, S9160G□H-S24
- * HEAD MODEL : S9□D3B-S9□D200B



+ WEIGHT - (Table 1)

PART		WEIGHT(kg)
MOTOR		2.93
GEAR HEAD	S9□D3B ~S9□D10B	1.65
	S9□D12.5B ~S9□D20B	1.80
	S9□D25B ~S9□D60B	1.90
	S9□D75B ~S9□D200B	1.95

+ SPEC for output shaft of gearhead - (Table 2)

MODEL	TYPES OF OUTPUT SHAFT
STRAIGHT TYPE	
S9SD3B ~S9SD200B	
D-CUT TYPE	
S9DD3B ~S9DD200B	
KEY TYPE	
S9KD3B ~S9KD200B	

+ KEY SPEC

GEAR HEAD	

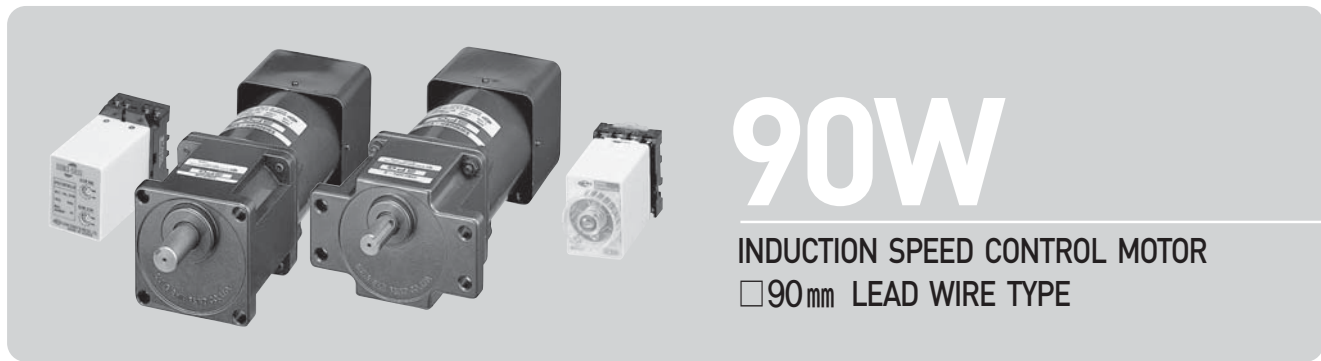
50Hz

GEAR RATIO		3	3.6	5	6	7.5	9	10	12.5	15	18	20	25	30	36	40	50	60	75	90	100	120	150	180	200
MODEL	rpm	500	416	300	250	200	166	150	120	100	83	75	60	50	41	37	30	25	20	16	15	12	10	8	7.5
	kg-cm	18.2	21.9	30.4	36.5	45.6	54.7	60.8	68.4	82.1	98.6	110	124	149	178	198	248	297	300	300	300	300	300	300	300
S9KD□B	N·m	1.784	2.146	2.979	3.577	4.469	5.361	5.958	6.703	8.046	9.663	10.78	12.15	14.60	17.44	19.40	24.32	29.13	29.42	29.42	29.42	29.42	29.42	29.42	29.42

60Hz

GEAR RATIO		3	3.6	5	6	7.5	9	10	12.5	15	18	20	25	30	36	40	50	60	75	90	100	120	150	180	200
MODEL	rpm	600	500	360	300	240	200	180	144	120	100	90	72	60	50	45	36	30	24	20	18	15	12	10	9
	kg-cm	14.6	17.5	24.3	29.2	36.5	43.7	48.6	54.8	65.7	78.8	87.6	99.0	119	143	158	198	238	266	300	300	300	300	300	300
S9KD□B	N·m	1.431	1.715	2.381	2.862	3.577	4.675	4.763	5.370	6.439	7.722	8.585	9.702	11.66	14.01	15.48	19.40	23.34	26.09	29.42	29.42	29.42	29.42	29.42	29.42

- ❖ The code in □ of gearhead model is for gear ratio.
- ❖ It is the permissible torque of the assembled motor and gearhead.
- ❖ The permissible torque of the motor and inter-decimal gearhead is 300 kg-cm.
- ❖ ■ color indicates that the output shaft of the geared motor rotates in the same direction as the output shaft of the motor. Others indicate rotation in the opposite direction.
- ❖ Rpm is based on synchronous speed (50Hz: 1500rpm, 60Hz: 1800rpm) divided by gear ratio. The actual rotation speed can be 2~20% less than displayed value depending on the load.
- ❖ Only "H" type is applicable. Please use "H" type motor.



SPECIFICATION OF SR TYPE SPEED CONTROL MOTORS

SIZE mm sq.	Motor Type	Controller Type	Poles	Output (W)	Voltage (V)	Freq. (Hz)	Duty	Speed Range (rpm)	Permissible Torque				Starting Torque		Cap. (μ F)
									at 1200rpm		at 90rpm		(kg-cm)	(N-m)	
90	S9190GA()-S12 S9190GA()-S12(TP) S9190GA()-S12CE	SRA02 SRA02CE	4	90	1 ϕ 110	60	Cont.	90-1700	6.30	0.630	3.00	0.300	6.50	0.650	24.0
	S9190GB()-S12 S9190GB()-S12(TP) S9190GB()-S12CE	SRB02 SRB02CE	4	90	1 ϕ 220	60	Cont.	90-1700	6.30	0.630	3.00	0.300	6.50	0.650	7.0
	S9190GC()-S12 S9190GC()-S12(TP) S9190GC()-S12CE	SRC02 SRC02CE	4	90	1 ϕ 100	50 60	Cont.	90-1400 90-1700	5.80 5.30	0.580 0.530	2.50	0.250	5.50	0.550	24.0
	S9190GD()-S12 S9190GD()-S12(TP) S9190GD()-S12CE	SRD02 SRD02CE	4	90	1 ϕ 200	50 60	Cont.	90-1400 90-1700	5.80 5.30	0.580 0.530	2.50	0.250	5.50	0.550	7.0
	S9190GX()-S12 S9190GX()-S12CE	SRX02 SRX02CE	4	90	1 ϕ 220 1 ϕ 240	50	Cont.	90-1400	5.40 6.10	0.540 0.610	2.20 2.20	0.220 0.220	4.60 5.50	0.460 0.550	5.0

- ❖ CE marked at the end of motor model name indicates that it is thermally protected type which has received CE.
- ❖ SR type controller model with "CE" appeared at the end of motor model name indicates that the product acquired CE MARK certification.
- ❖ TP marked at the end of the motor model name indicates that it is standard motor with Thermal Protector mounted.
- S9190GX()-S24, S9190GX()-S24CE is thermally protected type with TP mounted.
- ❖ () is for marking 'L' type or 'H'. 'L' should be used with gearhead 'L' and 'H' should be used with gearhead 'H'.

SPECIFICATION OF SS TYPE SPEED CONTROL MOTORS

SIZE mm sq.	Motor Type	Controller Type	Poles	Output (W)	Voltage (V)	Freq. (Hz)	Duty	Speed Range (rpm)	Permissible Torque				Starting Torque		Cap. (μ F)
									at 1200rpm		at 90rpm		(kg-cm)	(N-m)	
90	S9190GA()-S24 S9190GA()-S24(TP) S9190GA()-S24CE	SSA03-SRSS	4	90	1 ϕ 110	60	Cont.	90-1700	6.30	0.630	3.00	0.300	6.50	0.650	24.0
	S9190GB()-S24 S9190GB()-S24(TP) S9190GB()-S24CE	SSB03-SRSS	4	90	1 ϕ 220	60	Cont.	90-1700	6.30	0.630	3.00	0.300	6.50	0.650	7.0
	S9190GC()-S24 S9190GC()-S24(TP) S9190GC()-S24CE	SSC03-SRSS	4	90	1 ϕ 100	50 60	Cont.	90-1400 90-1700	5.80 5.30	0.580 0.530	2.50	0.250	5.50	0.550	24.0
	S9190GD()-S24 S9190GD()-S24(TP) S9190GD()-S24CE	SSD03-SRSS	4	90	1 ϕ 200	50 60	Cont.	90-1400 90-1700	5.80 5.30	0.580 0.530	2.50	0.250	5.50	0.550	7.0
	S9190GX()-S24 S9190GX()-S24CE	SSX03-SRSS	4	90	1 ϕ 220 1 ϕ 240	50	Cont.	90-1400	5.40 6.10	0.540 0.610	2.20 2.20	0.220 0.220	4.60 5.50	0.460 0.550	5.0

- ❖ CE marked at the end of motor model name indicates that it is thermally protected type which has received CE.
- ❖ TP marked at the end of the motor model name indicates that it is standard motor with Thermal Protector mounted.
- S9190GX()-S24, S9190GX()-S24CE is thermally protected type with TP mounted.
- ❖ () is for marking 'L' type or 'H'. 'L' should be used with gearhead 'L' and 'H' should be used with gearhead 'H'.

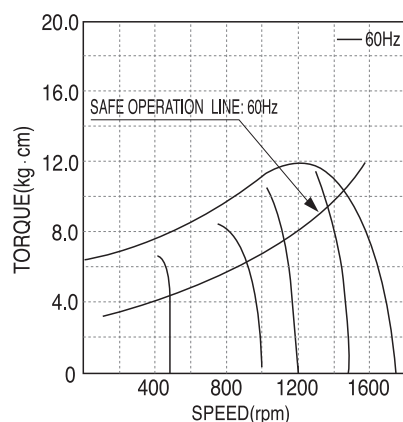
50Hz

GEAR RATIO		3	3.6	5	6	7.5	9	10	12.5	15	18	20	25	30	36	40	50	60	75	90	100	120	150	180	200
MODEL	rpm	500	416	300	250	200	166	150	120	100	83	75	60	50	41	37	30	25	20	16	15	12	10	8	7.5
S9KC□B()	kg·cm	18.2	21.9	30.4	36.5	45.6	54.7	60.8	68.4	82.1	98.6	110	124	149	178	198	200	200	200	200	200	200	200	200	200
S9KC□B()-S	N·m	1.784	2.146	2.979	3.577	4.469	5.361	5.958	6.703	8.046	9.663	10.78	12.15	14.60	17.44	19.40	19.60	19.60	19.60	19.60	19.60	19.60	19.60	19.60	19.60

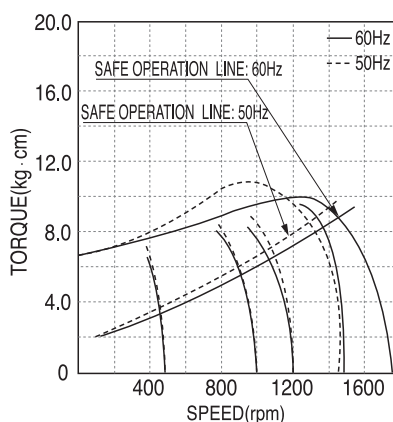
60Hz

GEAR RATIO		3	3.6	5	6	7.5	9	10	12.5	15	18	20	25	30	36	40	50	60	75	90	100	120	150	180	200
MODEL	rpm	600	500	360	300	240	200	180	144	120	100	90	72	60	50	45	36	30	24	20	18	15	12	10	9
S9KC□B()	kg·cm	14.6	17.5	24.3	29.2	36.5	43.7	48.6	54.8	65.7	78.8	87.6	99.0	119	143	158	198	200	200	200	200	200	200	200	200
S9KC□B()-S	N·m	1.431	1.715	2.381	2.862	3.577	4.675	4.763	5.370	6.439	7.722	8.585	9.702	11.66	14.01	15.48	19.40	19.60	19.60	19.60	19.60	19.60	19.60	19.60	19.60

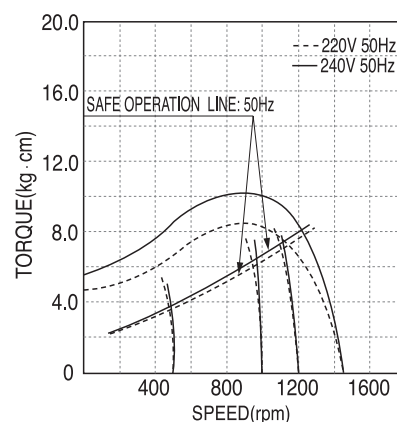
- ❖ The code in □ of gearhead model is for gear ratio.
- ❖ It is the permissible torque of the assembled motor and gearhead.
- ❖ The permissible torque of the motor and inter-decimal gearhead is 200 kg·cm.
- ❖ ■ color indicates that the output shaft of the geared motor rotates in the same direction as the output shaft of the motor. Others indicate rotation in the opposite direction.
- ❖ Rpm is based on synchronous speed (50Hz: 1500rpm, 60Hz: 1800rpm) divided by gear ratio. The actual rotation speed can be 2~20% less than displayed value depending on the load.
- ❖ () is for marking 'L' type or 'H'. 'L' should be used with motor 'L' and 'H' should be used with motor 'H'.



- ▲ S9I90GA()-S12 S9I90GA()-S24
- S9I90GA()-S12(TP) S9I90GA()-S24(TP)
- S9I90GA()-S12CE S9I90GA()-S24CE
- S9I90GB()-S12 S9I90GB()-S24
- S9I90GB()-S12(TP) S9I90GB()-S24(TP)
- S9I90GB()-S12CE S9I90GB()-S24



- ▲ S9I90GC()-S12 S9I90GC()-S24
- S9I90GC()-S12(TP) S9I90GC()-S24(TP)
- S9I90GC()-S12CE S9I90GC()-S24CE
- S9I90GD()-S12 S9I90GD()-S24
- S9I90GD()-S12(TP) S9I90GD()-S24(TP)
- S9I90GD()-S12CE S9I90GD()-S24

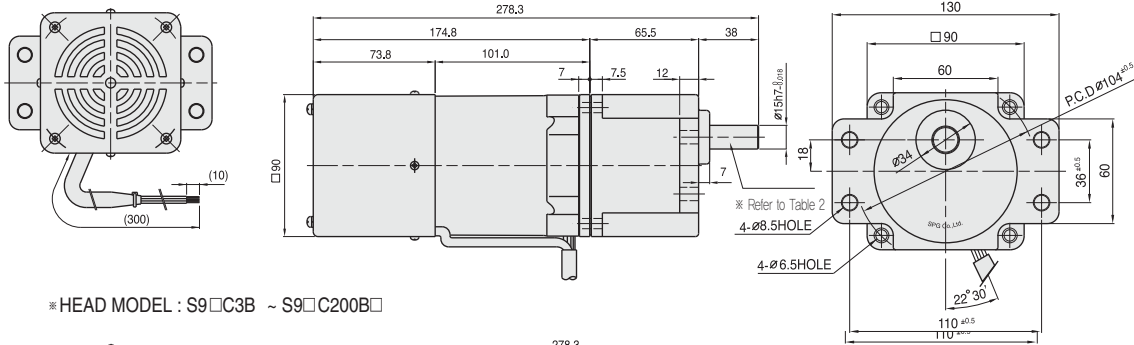


- ▲ S9I90GX()-S12 S9I90GX()-S24
- S9I90GX()-S12CE S9I90GX()-S24CE

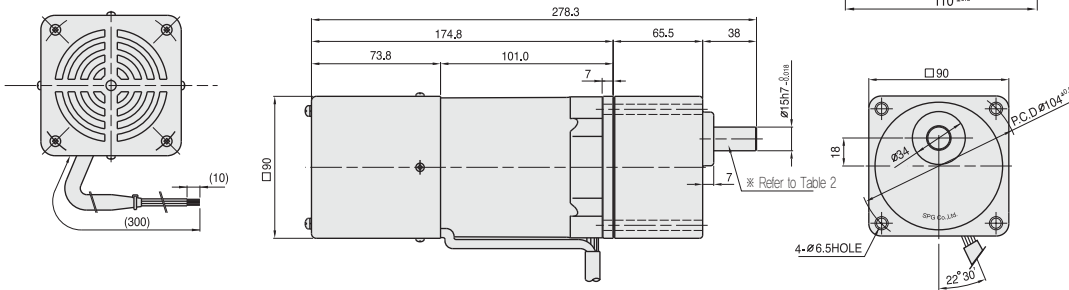
DIMENSIONS

+ GEARED MOTOR

※ MOTOR MODEL : S9I90G□□-S12, S9I90G□□-S24
 ※ HEAD MODEL : S9□C3B□-S ~ S9□C200B□-S

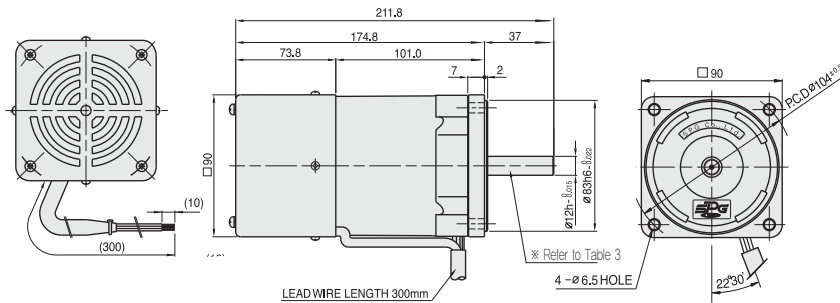


※ HEAD MODEL : S9□C3B ~ S9□C200B□



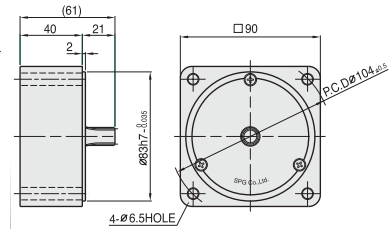
+ MOTOR

※ MOTOR MODEL : S9I90□□□-S12, S9I90□□□-S24



+ INTER-DECIMAL GEAR HEAD

※ MODEL : S9GX10B(H,L)-S



+ WEIGHT - (Table 1)

PART	WEIGHT(kg)	
MOTOR	3.53	
DECIMAL GEAR HEAD	0.65	
GEAR HEAD	S9□C3B□ ~S9□C10B□	1.21
	S9□C12.5B□ ~S9□C20B□	1.30
	S9□C25B□ ~S9□C60B□	1.40
	S9□C75B□ ~S9□C200B□	1.45

+ KEY SPEC

GEAR HEAD	MOTOR

+ SPEC for output shaft of gearhead - (Table 2)

MODEL	TYPES OF OUTPUT SHAFT
STRAIGHT TYPE	
S9SC3B□ ~S9SC200B□	
D-CUT TYPE	
S9DC3B□ ~S9DC200B□	
KEY TYPE	
S9KC3B□ ~S9KC200B□	

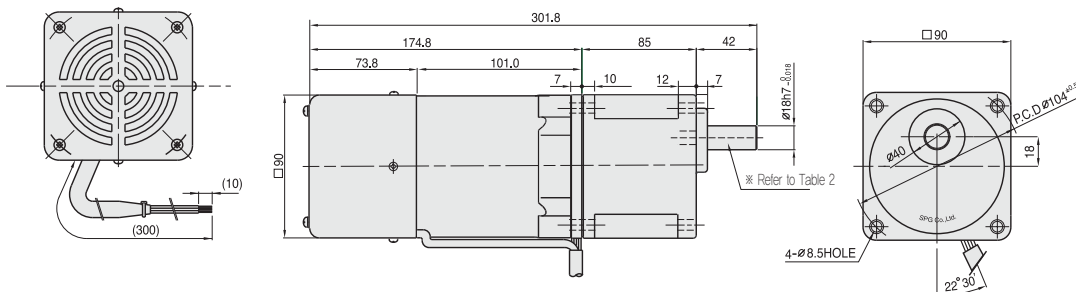
+ SPEC for output shaft of motor - (Table 3)

MODEL	TYPES OF OUTPUT SHAFT
GEAR TYPE	
S9I90G□□-S12 S9I90G□□-S24	
STRAIGHT TYPE	
S9I90S□□-S12 S9I90S□□-S24	
D-CUT TYPE	
S9I90D□□-S12 S9I90D□□-S24	
KEY TYPE	
S9I90K□□-S12 S9I90K□□-S24	

DIMENSIONS

+ GEARED MOTOR

- * MOTOR MODEL : S9I90G□H-S12, S9I90G□H-S24
- * HEAD MODEL : S9□D3B-S9□D200B



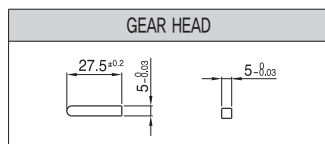
+ WEIGHT - (Table1)

PART		WEIGHT(kg)
MOTOR		3.53
GEAR HEAD	S9□D3B ~S9□D10B	1.65
	S9□D12.5B ~S9□D20B	1.80
	S9□D25B ~S9□D60B	1.90
	S9□D75B ~S9□D200B	1.95

+ SPEC for output shaft of gearhead - (Table2)

MODEL	TYPES OF OUTPUT SHAFT
S9SD3B ~S9SD200B	STRAIGHT TYPE
	D-CUT TYPE
S9DD3B ~S9DD200B	KEY TYPE

+ KEY SPEC



50Hz

MODEL	GEAR RATIO	3	3.6	5	6	7.5	9	10	12.5	15	18	20	25	30	36	40	50	60	75	90	100	120	150	180	200
	S9KD□B	rpm	500	416	300	250	200	166	150	120	100	83	75	60	50	41	37	30	25	20	16	15	12	10	8
kg-cm		18.2	21.9	30.4	36.5	45.6	54.7	60.8	68.4	82.1	98.6	110	124	149	178	198	248	297	300	300	300	300	300	300	300
N·m		1.784	2.146	2.979	3.577	4.469	5.361	5.958	6.703	8.046	9.663	10.78	12.15	14.60	17.44	19.40	24.32	29.13	29.42	29.42	29.42	29.42	29.42	29.42	29.42

60Hz

MODEL	GEAR RATIO	3	3.6	5	6	7.5	9	10	12.5	15	18	20	25	30	36	40	50	60	75	90	100	120	150	180	200
	S9KD□B	rpm	600	500	360	300	240	200	180	144	120	100	90	72	60	50	45	36	30	24	20	18	15	12	10
kg-cm		14.6	17.5	24.3	29.2	36.5	43.7	48.6	54.8	65.7	78.8	87.6	99.0	119	143	158	198	238	266	300	300	300	300	300	300
N·m		1.431	1.715	2.381	2.862	3.577	4.675	4.763	5.370	6.439	7.722	8.585	9.702	11.66	14.01	15.48	19.40	23.34	26.09	29.42	29.42	29.42	29.42	29.42	29.42

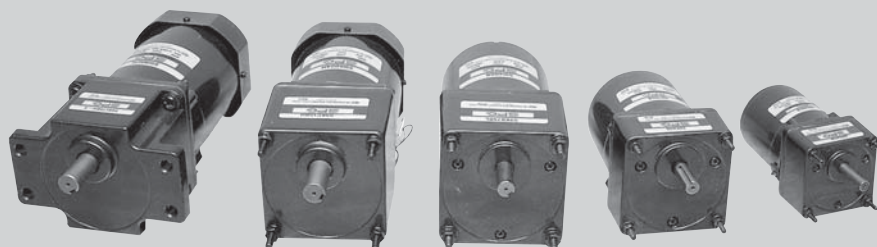
- ❖ The code in □ of gearhead model is for gear ratio.
- ❖ It is the permissible torque of the assembled motor and gearhead.
- ❖ The permissible torque of the motor and inter-decimal gearhead is 300 kg-cm.
- ❖ ■ color indicates that the output shaft of the geared motor rotates in the same direction as the output shaft of the motor. Others indicate rotation in the opposite direction.
- ❖ Rpm is based on synchronous speed (50Hz: 1500rpm, 60Hz: 1800rpm) divided by gear ratio. The actual rotation speed can be 2~20% less than displayed value depending on the load.
- ❖ Only "H" type is applicable. Please use "H" type motor.

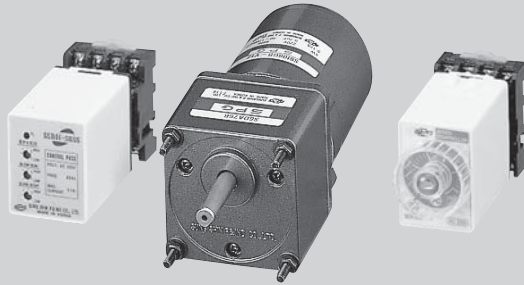


SPEED CONTROL REVERSIBLE MOTORS

INDEX

SPEED CONTROL REVERSIBLE MOTOR 6W(□60mm)	236
SPEED CONTROL REVERSIBLE MOTOR 15W(□70mm)	239
SPEED CONTROL REVERSIBLE MOTOR 15W(□80mm)	242
SPEED CONTROL REVERSIBLE MOTOR 25W(□80mm)	244
SPEED CONTROL REVERSIBLE MOTOR 40W(□90mm)	247





6W

REVERSIBLE SPEED CONTROL MOTOR

□ 60 mm LEAD WIRE TYPE

SPECIFICATION OF SR TYPE SPEED CONTROL MOTORS

SIZE mm sq.	Motor Type	Controller Type	Poles	Output (W)	Voltage (V)	Freq. (Hz)	Duty	Speed Range (rpm)	Permissible Torque				Starting Torque		Cap. (μ F)
									at 1200rpm		at 90rpm		(kg-cm)	(N-m)	
60	S6R06GA-S12 S6R06GA-S12CE	SRA01 SRA01CE	4	6	1 ϕ 110	60	30min.	90-1700	0.65	0.065	0.40	0.040	0.52	0.052	3.0
	S6R06GB-S12 S6R06GB-S12CE	SRB01 SRB01CE	4	6	1 ϕ 220	60	30min.	90-1700	0.60	0.060	0.40	0.040	0.52	0.052	0.8
	S6R06GC-S12 S6R06GC-S12CE	SRC01 SRC01CE	4	6	1 ϕ 100	50 60	30min.	90-1400 90-1700	0.55	0.055	0.35	0.035	0.45	0.045	3.0
	S6R06GD-S12 S6R06GD-S12CE	SRD01 SRD01CE	4	6	1 ϕ 200	50 60	30min.	90-1400 90-1700	0.55	0.055	0.35	0.035	0.45	0.045	0.8
	S6R06GX-S12 S6R06GX-S12CE	SRX01 SRX01CE	4	6	1 ϕ 220 1 ϕ 240	50	30min.	90-1400	0.45 0.50	0.045 0.050	0.32 0.32	0.032 0.032	0.40 0.47	0.040 0.047	0.7

❖ CE marked at the end of motor model name indicates that it is thermally protected type which has received CE.

❖ SR type controller model with "CE" appeared at the end of motor model name indicates that the product acquired CE MARK certification.

❖ "L" or "H" type does not apply to motors under 40W.

SPECIFICATION OF SS TYPE SPEED CONTROL MOTORS

SIZE mm sq.	Motor Type	Controller Type	Poles	Output (W)	Voltage (V)	Freq. (Hz)	Duty	Speed Range (rpm)	Permissible Torque				Starting Torque		Cap. (μ F)
									at 1200rpm		at 90rpm		(kg-cm)	(N-m)	
60	S6R06GA-S24 S6R06GA-S24CE	SSA01-SRSS SSA03-SRSS	4	6	1 ϕ 110	60	30min.	90-1700	0.65	0.065	0.40	0.040	0.52	0.052	3.0
	S6R06GB-S24 S6R06GB-S24CE	SSB01-SRSS SSB03-SRSS	4	6	1 ϕ 220	60	30min.	90-1700	0.60	0.060	0.40	0.040	0.52	0.052	0.8
	S6R06GC-S24 S6R06GC-S24CE	SSC01-SRSS SSC03-SRSS	4	6	1 ϕ 100	50 60	30min.	90-1400 90-1700	0.55	0.055	0.35	0.035	0.45	0.045	3.0
	S6R06GD-S24 S6R06GD-S24CE	SSD01-SRSS SSD03-SRSS	4	6	1 ϕ 200	50 60	30min.	90-1400 90-1700	0.55	0.055	0.35	0.035	0.45	0.045	0.8
	S6R06GX-S24 S6R06GX-S24CE	SSX01-SRSS SSX03-SRSS	4	6	1 ϕ 220 1 ϕ 240	50	30min.	90-1400	0.45 0.50	0.045 0.050	0.32 0.32	0.032 0.032	0.40 0.47	0.040 0.047	0.7

❖ CE marked at the end of motor model name indicates that it is thermally protected type which has received CE.

❖ "L" or "H" type does not apply to motors under 40W.

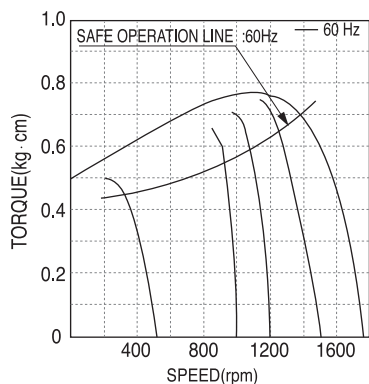
50Hz

GEAR RATIO		3	3.6	5	6	7.5	9	10	12.5	15	18	20	25	30	36	40	50	60	75	90	100	120	150	180	200	250
MODEL	rpm	500	416	300	250	200	166	150	120	100	83	75	60	50	41	37	30	25	20	16	15	12	10	8	7.5	6
	kg-cm	1.3	1.5	2.1	2.6	3.2	3.9	4.3	5.4	6.4	7.7	7.7	9.7	11.6	13.9	15.5	17.5	21.0	26.2	30.0	30.0	30.0	30.0	30.0	30.0	30.0
S6DA□B	N·m	0.127	0.147	0.206	0.255	0.314	0.382	0.421	0.529	0.627	0.755	0.755	0.951	1.137	1.362	1.519	1.715	2.058	2.568	2.942	2.942	2.942	2.942	2.942	2.942	2.942

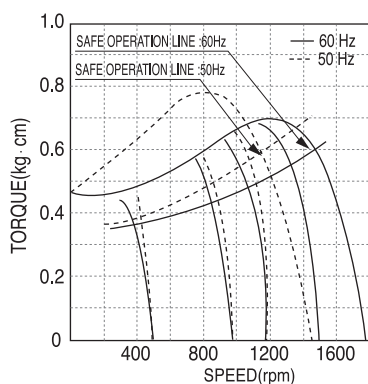
60Hz

GEAR RATIO		3	3.6	5	6	7.5	9	10	12.5	15	18	20	25	30	36	40	50	60	75	90	100	120	150	180	200	250
MODEL	rpm	600	500	360	300	240	200	180	144	120	100	90	72	60	50	45	36	30	24	20	18	15	12	10	9	7.2
	kg-cm	1.0	1.3	1.7	2.1	2.6	3.1	3.5	4.4	5.2	6.3	6.3	7.8	9.4	11.3	12.6	14.2	17.0	21.3	25.5	28.4	30.0	30.0	30.0	30.0	30.0
S6DA□B	N·m	0.098	0.127	0.167	0.206	0.255	0.304	0.343	0.431	0.510	0.617	0.617	0.764	0.921	1.107	1.235	1.392	1.666	2.087	2.499	2.783	2.942	2.942	2.942	2.942	2.942

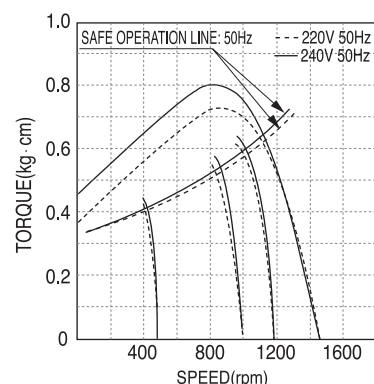
- ❖ The code in □ of gearhead model is for gear ratio.
- ❖ It is the permissible torque of the assembled motor and gearhead.
- ❖ The permissible torque of the motor and inter-decimal gearhead is 30 kg-cm.
- ❖ ■ color indicates that the output shaft of the geared motor rotates in the same direction as the output shaft of the motor. Others indicate rotation in the opposite direction.
- ❖ Rpm is based on synchronous speed (50Hz: 1500rpm, 60Hz: 1800rpm) divided by gear ratio. The actual rotation speed can be 2~20% less than displayed value depending on the load.
- ❖ "L" or "H" type does not apply to motors under 40W.



- ▲ S6R06GA-S12 S6R06GA-S24
- S6R06GA-S12CE S6R06GA-S24CE
- S6R06GB-S12 S6R06GB-S24
- S6R06GB-S12CE S6R06GB-S24



- ▲ S6R06GC-S12 S6R06GC-S24
- S6R06GC-S12CE S6R06GC-S24CE
- S6R06GD-S12 S6R06GD-S24
- S6R06GD-S12CE S6R06GD-S24CE

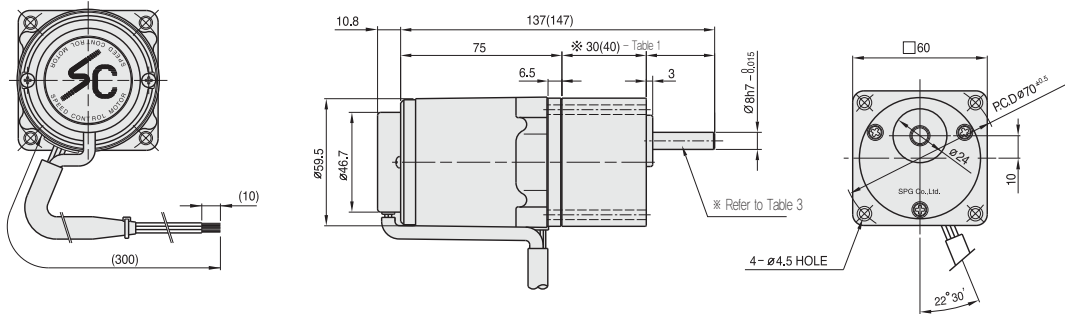


- ▲ S6R06GX-S12 S6R06GX-S24
- S6R06GX-S12CE S6R06GX-S24CE

DIMENSIONS

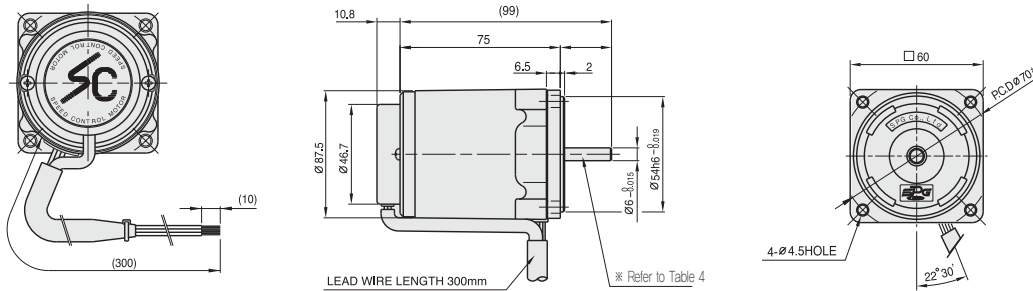
+ GEARED MOTOR

* MOTOR MODEL : S6R06G□-S12, S6R06G□-S24
 * HEAD MODEL □ : S6□A3□-S6□A250□



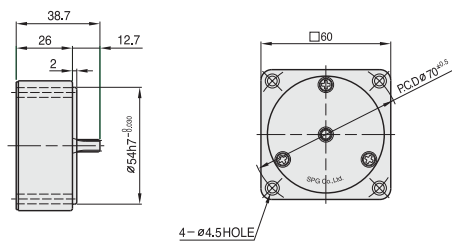
+ MOTOR

* MOTOR MODEL : S6R06□□-S12, S6R06□□-S24

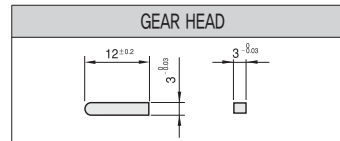


+ INTER-DECIMAL GEAR HEAD

* MODEL : S6GX10B



+ KEY SPEC



+ ※26(35) - (Table 1)

GEAR RATIO	SIZE(mm)
S6□A3□ ~ S6□A18□	30
S6□A20□ ~ S6□A250□	40

+ WEIGHT - (Table 2)

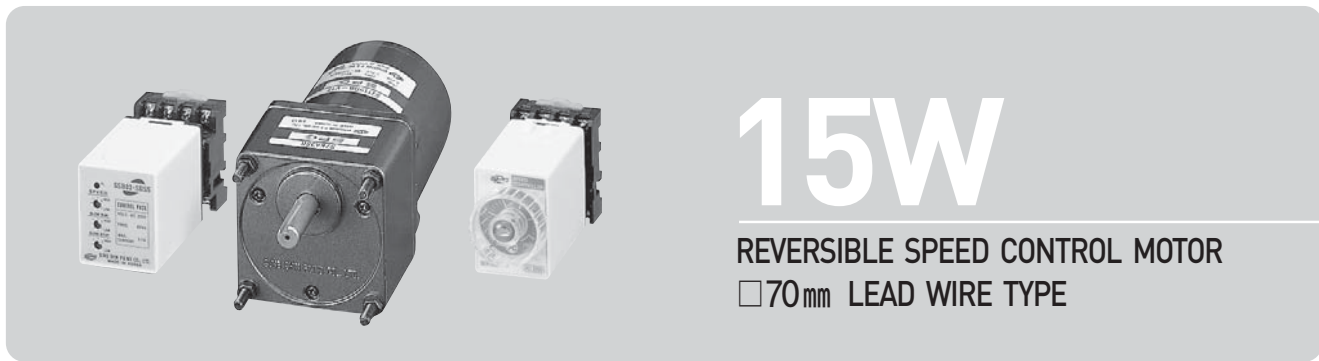
PART	WEIGHT(kg)	
MOTOR	0.76	
DECIMAL GEAR HEAD	0.18	
GEAR HEAD	S6□A3□ ~ S6□A18B□	0.24
	S6□A20□ ~ S6□A40□	0.30
	S6□A50□ ~ S6□A250□	0.33

+ SPEC for output shaft of gearhead - (Table 3)

MODEL	TYPES OF OUTPUT SHAFT
S6SA3□ ~S6SA250□	STRAIGHT TYPE
	D-CUT TYPE
S6DA3□ ~S6DA250□	KEY TYPE
	STRAIGHT TYPE

+ SPEC for output shaft of motor - (Table 4)

MODEL	TYPES OF OUTPUT SHAFT
S6R06G□-S12 S6R06G□-S24	GEAR TYPE
	STRAIGHT TYPE
S6R06GS-□S12 S6R06GS-□S24	STRAIGHT TYPE
	D-CUT TYPE



SPECIFICATION OF SR TYPE SPEED CONTROL MOTORS

SIZE mm sq.	Motor Type	Controller Type	Poles	Output (W)	Voltage (V)	Freq. (Hz)	Duty	Speed Range (rpm)	Permissible Torque				Starting Torque		Cap. (μ F)
									at 1200rpm		at 90rpm		(kg-cm)	(N-m)	
70	S7R15GA-S12 S7R15GA-S12(TP) S7R15GA-S12CE	SRA02 SRA02CE	4	15	1 ϕ 110	60	30min.	90-1700	1.10	0.110	0.55	0.055	1.00	0.100	6.0
	S7R15GB-S12 S7R15GB-S12(TP) S7R15GB-S12CE	SRB02 SRB02CE	4	15	1 ϕ 220	60	30min.	90-1700	1.10	0.110	0.55	0.055	1.00	0.100	1.5
	S7R15GC-S12 S7R15GC-S12(TP) S7R15GC-S12CE	SRC02 SRC02CE	4	15	1 ϕ 100	50 60	30min.	90-1400 90-1700	1.05 0.80	0.105 0.080	0.50	0.050	0.80	0.080	6.0
	S7R15GD-S12 S7R15GD-S12(TP) S7R15GD-S12CE	SRD02 SRD02CE	4	15	1 ϕ 200	50 60	30min.	90-1400 90-1700	1.05 0.80	0.105 0.080	0.50	0.050	0.80	0.080	1.5
	S7R15GX-S12 S7R15GX-S12CE	SRX02 SRX02CE	4	15	1 ϕ 220 1 ϕ 240	50	30min.	90-1400	1.00 1.10	0.100 0.110	0.50 0.75	0.050 0.075	0.75 1.00	0.075 0.100	1.2

- ❖ CE marked at the end of motor model name indicates that it is thermally protected type which has received CE.
- ❖ SR type controller model with "CE" appeared at the end of motor model name indicates that the product acquired CE MARK certification.
- ❖ TP marked at the end of the motor model name indicates that it is standard motor with Thermal Protector mounted.
S7R15GX-S12, S7R15GX-S12CE is thermally protected type with TP mounted.
- ❖ "L" or "H" type does not apply to motors under 40W.

SPECIFICATION OF SS TYPE SPEED CONTROL MOTORS

SIZE mm sq.	Motor Type	Controller Type	Poles	Output (W)	Voltage (V)	Freq. (Hz)	Duty	Speed Range (rpm)	Permissible Torque				Starting Torque		Cap. (μ F)
									at 1200rpm		at 90rpm		(kg-cm)	(N-m)	
70	S7R15GA-S24 S7R15GA-S24(TP) S7R15GA-S24CE	SSA02-SRSS SSA03-SRSS	4	15	1 ϕ 110	60	30min.	90-1700	1.10	0.110	0.55	0.055	1.00	0.100	6.0
	S7R15GB-S24 S7R15GB-S24(TP) S7R15GB-S24CE	SSB02-SRSS SSB03-SRSS	4	15	1 ϕ 220	60	30min.	90-1700	1.10	0.110	0.55	0.055	1.00	0.100	1.5
	S7R15GC-S24 S7R15GC-S24(TP) S7R15GC-S24CE	SSC02-SRSS SSC03-SRSS	4	15	1 ϕ 100	50 60	30min.	90-1400 90-1700	1.05 0.80	0.105 0.080	0.50	0.050	0.80	0.080	6.0
	S7R15GD-S24 S7R15GD-S24(TP) S7R15GD-S24CE	SSD02-SRSS SSD03-SRSS	4	15	1 ϕ 200	50 60	30min.	90-1400 90-1700	1.05 0.80	0.105 0.080	0.50	0.050	0.80	0.080	1.5
	S7R15GX-S24 S7R15GX-S24CE	SSX02-SRSS SSX03-SRSS	4	15	1 ϕ 220 1 ϕ 240	50	30min.	90-1400	1.00 1.10	0.100 0.110	0.50 0.75	0.050 0.075	0.75 1.00	0.075 0.100	1.2

- ❖ CE marked at the end of motor model name indicates that it is thermally protected type which has received CE.
- ❖ TP marked at the end of the motor model name indicates that it is standard motor with Thermal Protector mounted.
S7R15GX-S24, S7R15GX-S24CE is thermally protected type with TP mounted.
- ❖ "L" or "H" type does not apply to motors under 40W.

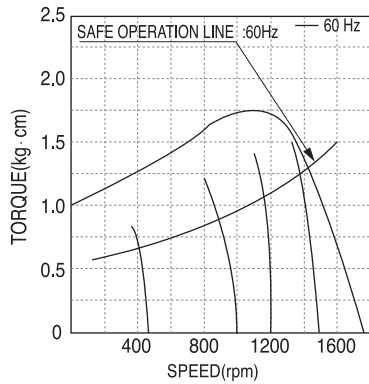
50Hz

GEAR RATIO		3	3.6	5	6	7.5	9	10	12.5	15	18	20	25	30	36	40	50	60	75	90	100	120	150	180	200
MODEL	rpm	500	416	300	250	200	166	150	120	100	83	75	60	50	41	37	30	25	20	16	15	12	10	8	7.5
	kg·cm	3.2	3.9	5.4	6.5	8.1	9.7	10.8	13.5	16.2	19.4	19.4	24.2	29.1	34.9	38.8	43.6	50.0	50.0	50.0	50.0	50.0	50.0	50.0	50.0
S7KA□B	N·m	0.314	0.382	0.530	0.637	0.794	0.951	1.059	1.324	1.587	1.902	1.902	2.373	2.854	3.423	3.805	4.276	4.900	4.900	4.900	4.900	4.900	4.900	4.900	4.900

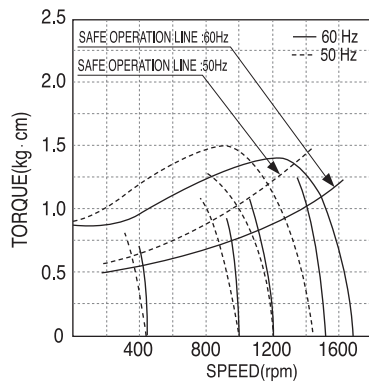
60Hz

GEAR RATIO		3	3.6	5	6	7.5	9	10	12.5	15	18	20	25	30	36	40	50	60	75	90	100	120	150	180	200
MODEL	rpm	600	500	360	300	240	200	180	144	120	100	90	72	60	50	45	36	30	24	20	18	15	12	10	9
	kg·cm	3.0	3.6	5.1	6.1	7.6	9.1	10.1	12.7	15.2	18.2	18.2	22.8	27.3	32.8	36.5	41.0	49.2	50.0	50.0	50.0	50.0	50.0	50.0	50.0
S7KA□B	N·m	0.294	0.353	0.500	0.598	0.745	0.892	0.990	1.245	1.491	1.785	1.785	2.236	2.677	3.217	3.579	4.021	4.825	4.900	4.900	4.900	4.900	4.900	4.900	4.900

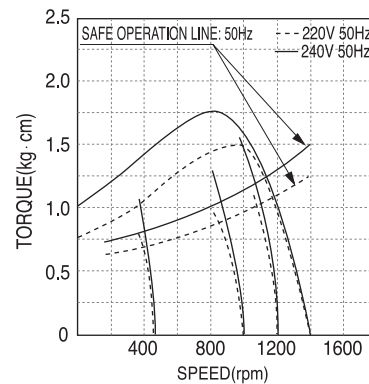
- ❖ The code in □ of gearhead model is for gear ratio.
- ❖ It is the permissible torque of the assembled motor and gearhead.
- ❖ The permissible torque of the motor and inter-decimal gearhead is 50 kg·cm.
- ❖ ■ color indicates that the output shaft of the geared motor rotates in the same direction as the output shaft of the motor. Others indicate rotation in the opposite direction.
- ❖ Rpm is based on synchronous speed (50Hz: 1500rpm, 60Hz: 1800rpm) divided by gear ratio. The actual rotation speed can be 2~20% less than displayed value depending on the load.
- ❖ "L" or "H" type does not apply to motors under 40W.



- ▲ S7R15GA-S12 S7R15GA-S24
- S7R15GA-S12(TP) S7R15GA-S24(TP)
- S7R15GA-S12CE S7R15GA-S24CE
- S7R15GB-S12 S7R15GB-S24
- S7R15GB-S12(TP) S7R15GB-S24(TP)
- S7R15GB-S12CE S7R15GB-S24



- ▲ S7R15GC-S12 S7R15GC-S24
- S7R15GC-S12(TP) S7R15GC-S24(TP)
- S7R15GC-S12CE S7R15GC-S24CE
- S7R15GD-S12 S7R15GD-S24
- S7R15GC-S12 S7R15GC-S24(TP)
- S7R15GD-S12CE S7R15GD-S24CE

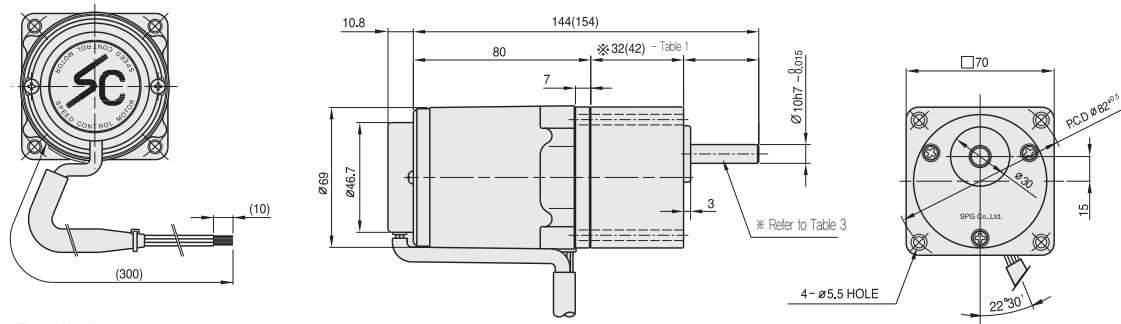


- ▲ S7R15GX-S12 S7R15GX-S24
- S7R15GX-S12CE S7R15GX-S24CE

DIMENSIONS

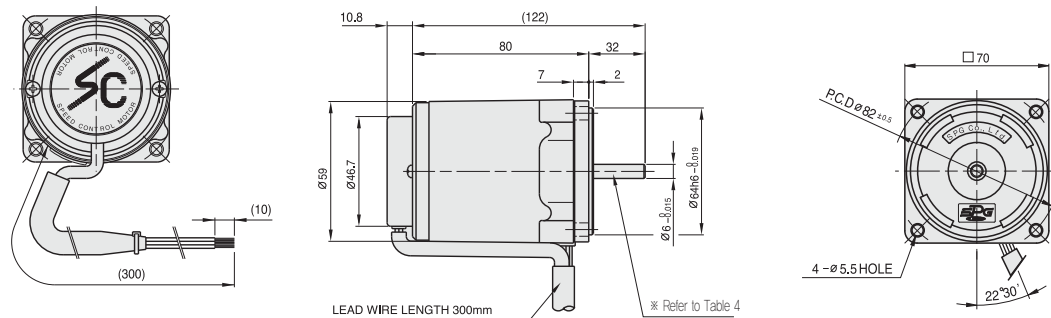
+ GEARED MOTOR

※ MOTOR MODEL : S7R15G□-S12, S7R15G□-S24
 ※ HEAD MODEL : S7□A3□~S7□A200□



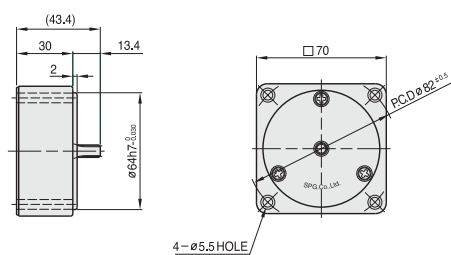
+ MOTOR

※ MOTOR MODEL : S7R15□□-S12, S7R15□□-S24

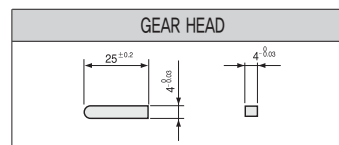


+ INTER-DECIMAL GEAR HEAD

※ MODEL : S7GX10B



+ KEY SPEC



+ ※26(35) - (Table 1)

GEAR RATIO	SIZE(mm)
S7□A3□ ~ S7□A18□	32
S7□A20□ ~ S7□A200□	42

+ WEIGHT - (Table 2)

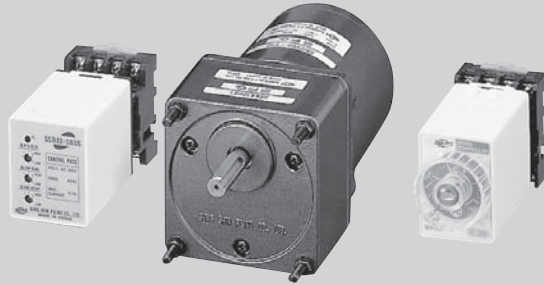
PART	WEIGHT(kg)	
MOTOR	1.04	
DECIMAL GEAR HEAD	0.32	
GEAR HEAD	S7□A3□ ~ S7□A40□	0.38
	S7□A20□ ~ S7□A40□	0.47
	S7□A50□ ~ S7□A200□	0.52

+ SPEC for output shaft of gearhead - (Table 3)

MODEL	TYPES OF OUTPUT SHAFT
S7SA3□ ~ S7SA200□	STRAIGHT TYPE
	D-CUT TYPE
S7DA3□ ~ S7DA200□	KEY TYPE
	S7KA3□ ~ S7KA200□

+ SPEC for output shaft of motor - (Table 4)

MODEL	TYPES OF OUTPUT SHAFT
S7R15G□-S12 S7R15G□-S24	GEAR TYPE
	STRAIGHT TYPE
S7R15D□-S12 S7R15D□-S24	D-CUT TYPE



15W

REVERSIBLE SPEED CONTROL MOTOR

□ 80mm LEAD WIRE TYPE

SPECIFICATION OF SR TYPE SPEED CONTROL MOTORS

SIZE mm sq.	Motor Type	Controller Type	Poles	Output (W)	Voltage (V)	Freq. (Hz)	Duty	Speed Range (rpm)	Permissible Torque				Starting Torque		Cap. (μ F)	
									at 1200rpm		at 90rpm		(kg-cm)	(N-m)		(kg-cm)
80	S8R15GA-S12 S8R15GA-S12(TP) S8R15GA-S12CE	SRA02 SRA02CE	4	15	1 ϕ 110	60	30min.	90-1700	1.40	0.140	0.50	0.050	0.80	0.080	6.0	
	S8R15GB-S12 S8R15GB-S12(TP) S8R15GB-S12CE	SRB02 SRB02CE	4	15	1 ϕ 220	60	30min.	90-1700	1.40	0.140	0.50	0.050	0.80	0.070	1.5	
	S8R15GC-S12 S8R15GC-S12(TP) S8R15GC-S12CE	SRC02 SRC02CE	4	15	1 ϕ 100	50 60	30min.	90-1400 90-1700	1.30 1.10	0.130 0.110	0.45	0.045	0.70	0.070	6.0	
	S8R15GD-S12 S8R15GD-S12(TP) S8R15GD-S12CE	SRD02 SRD02CE	4	15	1 ϕ 200	50 60	30min.	90-1400 90-1700	1.30 1.10	0.130 0.110	0.45	0.045	0.70	0.070	1.5	
	S8R15GX-S12 S8R15GX-S12CE	SRX02 SRX02CE	4	15	1 ϕ 220 1 ϕ 240	50	30min.	90-1400	1.30 1.40	0.130 0.140	0.45	0.045	0.70	0.070 0.80	0.070 0.08	1.2

- ❖ CE marked at the end of motor model name indicates that it is thermally protected type which has received CE.
- ❖ SR type controller model with "CE" appeared at the end of motor model name indicates that the product acquired CE MARK certification.
- ❖ TP marked at the end of the motor model name indicates that it is standard motor with Thermal Protector mounted.
S8R15GX-S12, S8R15GX-S12CE is thermally protected type with TP mounted.
- ❖ L" or "H" type does not apply to motors under 40W.

SPECIFICATION OF SS TYPE SPEED CONTROL MOTORS

SIZE mm sq.	Motor Type	Controller Type	Poles	Output (W)	Voltage (V)	Freq. (Hz)	Duty	Speed Range (rpm)	Permissible Torque				Starting Torque		Cap. (μ F)	
									at 1200rpm		at 90rpm		(kg-cm)	(N-m)		(kg-cm)
80	S8R15GA-S24 S8R15GA-S24(TP) S8R15GA-S24CE	SSA02-SRSS SSA03-SRSS	4	15	1 ϕ 110	60	30min.	90-1700	1.40	0.140	0.50	0.050	0.80	0.080	6.0	
	S8R15GB-S24 S8R15GB-S24(TP) S8R15GB-S24CE	SSB02-SRSS SSB03-SRSS	4	15	1 ϕ 220	60	30min.	90-1700	1.40	0.140	0.50	0.050	0.80	0.070	1.5	
	S8R15GC-S24 S8R15GC-S24(TP) S8R15GC-S24CE	SSC02-SRSS SSC03-SRSS	4	15	1 ϕ 100	50 60	30min.	90-1400 90-1700	1.30 1.10	0.130 0.110	0.45	0.045	0.70	0.070	6.0	
	S8R15GD-S24 S8R15GD-S24(TP) S8R15GD-S24CE	SSD02-SRSS SSD03-SRSS	4	15	1 ϕ 200	50 60	30min.	90-1400 90-1700	1.30 1.10	0.130 0.110	0.45	0.045	0.70	0.070	1.5	
	S8R15GX-S24 S8R15GX-S24CE	SSX02-SRSS SSX03-SRSS	4	15	1 ϕ 220 1 ϕ 240	50	30min.	90-1400	1.30 1.40	0.130 0.140	0.45	0.045	0.70	0.070 0.80	0.070 0.08	1.2

- ❖ CE marked at the end of motor model name indicates that it is thermally protected type which has received CE.
- ❖ TP marked at the end of the motor model name indicates that it is standard motor with Thermal Protector mounted.
S8R15GX-S24, S8R15GX-S24CE is thermally protected type with TP mounted.
- ❖ L" or "H" type does not apply to motors under 40W.

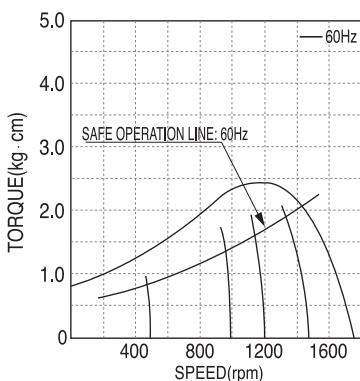
50Hz

GEAR RATIO		3	3.6	5	6	7.5	9	10	12.5	15	18	20	25	30	36	40	50	60	75	90	100	120	150	180	200
MODEL	rpm	500	416	300	250	200	166	150	120	100	83	75	60	50	41	37	30	25	20	16	15	12	10	8	7.5
S8KA□B	kg-cm	3.4	4.1	5.7	6.8	8.5	10.2	11.3	14.2	17.0	20.4	20.4	25.6	30.7	36.8	40.9	46.2	55.4	69.2	80	80	80	80	80	80
	N·m	0.333	0.402	0.559	0.666	0.833	1.000	1.107	1.392	1.666	1.999	1.999	2.509	3.009	3.606	4.008	4.530	5.433	6.786	7.840	7.840	7.840	7.840	7.840	7.840

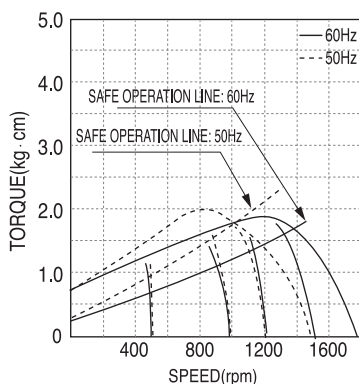
60Hz

GEAR RATIO		3	3.6	5	6	7.5	9	10	12.5	15	18	20	25	30	36	40	50	60	75	90	100	120	150	180	200
MODEL	rpm	600	500	360	300	240	200	180	144	120	100	90	72	60	50	45	36	30	24	20	18	15	12	10	9
S8KA□B	kg-cm	2.9	3.5	4.9	5.8	7.3	8.7	9.7	12.2	14.6	17.5	17.5	21.9	26.3	31.5	35.0	39.6	47.5	59.4	71.3	79.2	80	80	80	80
	N·m	0.284	0.343	0.481	0.568	0.715	0.853	0.951	1.196	1.432	1.715	1.715	2.146	2.577	3.087	3.430	3.881	4.658	5.825	6.992	7.767	7.840	7.840	7.840	7.840

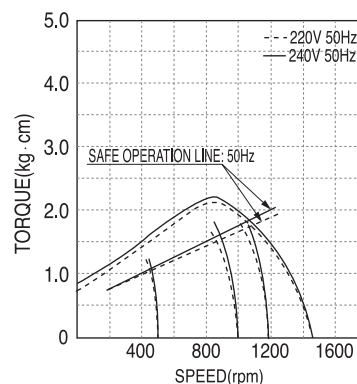
- ❖ The code in □ of gearhead model is for gear ratio.
- ❖ It is the permissible torque of the assembled motor and gearhead.
- ❖ The permissible torque of the motor and inter-decimal gearhead is 80 kg-cm.
- ❖ ■ color indicates that the output shaft of the geared motor rotates in the same direction as the output shaft of the motor. Others indicate rotation in the opposite direction.
- ❖ Rpm is based on synchronous speed (50Hz: 1500rpm, 60Hz: 1800rpm) divided by gear ratio. The actual rotation speed can be 2~20% less than displayed value depending on the load.
- ❖ "L" or "H" type does not apply to motors under 40W.



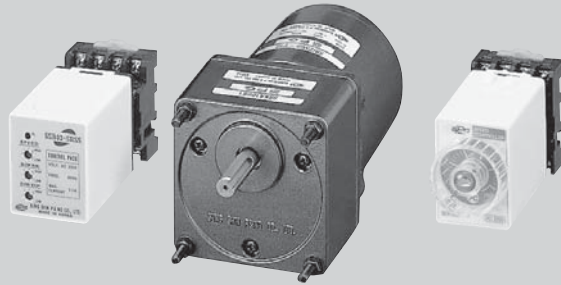
- ▲ S8R15GA-S12 S8R15GA-S24
- S8R15GA-S12(TP) S8R15GA-S24(TP)
- S8R15GA-S12CE S8R15GA-S24CE
- S8R15GB-S12 S8R15GB-S24
- S8R15GB-S12(TP) S8R15GB-S24(TP)
- S8R15GB-S12CE S8R15GB-S24



- ▲ S8R15GC-S12 S8R15GC-S24
- S8R15GC-S12(TP) S8R15GC-S24(TP)
- S8R15GC-S12CE S8R15GC-S24CE
- S8R15GD-S12 S8R15GD-S24
- S8R15GC-S12 S8R15GC-S24(TP)
- S8R15GD-S12CE S8R15GD-S24CE



- ▲ S8R15GX-S12 S8R15GX-S24
- S8R15GX-S12CE S8R15GX-S24CE



25W

REVERSIBLE SPEED CONTROL MOTOR

□ 80mm LEAD WIRE TYPE

SPECIFICATION OF SR TYPE SPEED CONTROL MOTORS

SIZE mm sq.	Motor Type	Controller Type	Poles	Output (W)	Voltage (V)	Freq. (Hz)	Duty	Speed Range (rpm)	Permissible Torque				Starting Torque		Cap. (μ F)	
									at 1200rpm		at 90rpm		(kg-cm)	(N-m)		(kg-cm)
80	S8R25GA-S12 S8R25GA-S12(TP) S8R25GA-S12CE	SRA02 SRA02CE	4	25	1 ϕ 110	60	30min.	90-1700	2.30	0.230	0.80	0.080	1.80	0.180	10.0	
	S8R25GB-S12 S8R25GB-S12(TP) S8R25GB-S12CE	SRB02 SRB02CE	4	25	1 ϕ 220	60	30min.	90-1700	2.30	0.230	0.70	0.070	1.80	0.180	2.5	
	S8R25GC-S12 S8R25GC-S12(TP) S8R25GC-S12CE	SRC02 SRC02CE	4	25	1 ϕ 100	50	30min.	90-1400	2.20	0.220	0.70	0.070	1.60	0.160	10.0	
			60	90-1700	1.90	0.190										
		S8R25GD-S12 S8R25GD-S12(TP) S8R25GD-S12CE	SRD02 SRD02CE	4	25	1 ϕ 200	50	30min.	90-1400	2.20	0.220	0.70	0.070	1.60	0.160	2.5
				60	90-1700	1.90	0.190									
		S8R25GX-S12 S8R25GX-S12CE	SRX02 SRX02CE	4	25	1 ϕ 220	50	30min.	90-1400	2.00	0.200	0.70	0.070	1.50	0.150	2.0
				1 ϕ 240	90-1400	2.25			0.225	0.70	0.070	1.70	0.170			

❖ CE marked at the end of motor model name indicates that it is thermally protected type which has received CE.

❖ SR type controller model with "CE" appeared at the end of motor model name indicates that the product acquired CE MARK certification.

❖ TP marked at the end of the motor model name indicates that it is standard motor with Thermal Protector mounted.

S8R25GX-S12, S8R25GX-S12CE is thermally protected type with TP mounted.

❖ "L" or "H" type does not apply to motors under 40W.

SPECIFICATION OF SS TYPE SPEED CONTROL MOTORS

SIZE mm sq.	Motor Type	Controller Type	Poles	Output (W)	Voltage (V)	Freq. (Hz)	Duty	Speed Range (rpm)	Permissible Torque				Starting Torque		Cap. (μ F)	
									at 1200rpm		at 90rpm		(kg-cm)	(N-m)		(kg-cm)
80	S8R25GA-S24 S8R25GA-S24(TP) S8R25GA-S24CE	SSA02-SRSS SSA03-SRSS	4	15	1 ϕ 110	60	30min.	90-1700	2.30	0.230	0.80	0.080	1.80	0.180	10.0	
	S8R25GB-S24 S8R25GB-S24(TP) S8R25GB-S24CE	SSB02-SRSS SSB03-SRSS	4	15	1 ϕ 220	60	30min.	90-1700	2.30	0.230	0.70	0.070	1.80	0.180	2.5	
	S8R25GC-S24 S8R25GC-S24(TP) S8R25GC-S24CE	SSC02-SRSS SSC03-SRSS	4	15	1 ϕ 100	50	30min.	90-1400	2.20	0.220	0.70	0.070	1.60	0.160	10.0	
			60	90-1700	1.90	0.190										
		S8R25GD-S24 S8R25GD-S24(TP) S8R25GD-S24CE	SSD02-SRSS SSD03-SRSS	4	15	1 ϕ 200	50	30min.	90-1400	2.20	0.220	0.70	0.070	1.60	0.160	2.5
				60	90-1700	1.90	0.190									
		S8R25GX-S24 S8R25GX-S24CE	SSX02-SRSS SSX03-SRSS	4	15	1 ϕ 220	50	30min.	90-1400	2.00	0.200	0.70	0.070	1.50	0.150	2.0
				1 ϕ 240	90-1400	2.25			0.225	0.70	0.070	1.70	0.170			

❖ CE marked at the end of motor model name indicates that it is thermally protected type which has received CE.

❖ TP marked at the end of the motor model name indicates that it is standard motor with Thermal Protector mounted.

S8R25GX-S24, S8R25GX-S24CE is thermally protected type with TP mounted.

❖ "L" or "H" type does not apply to motors under 40W.

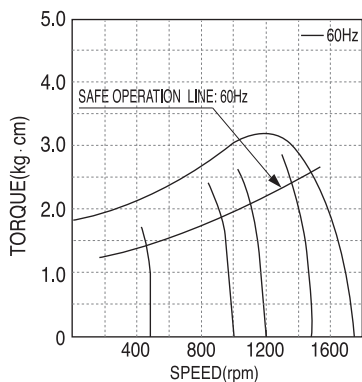
50Hz

GEAR RATIO		3	3.6	5	6	7.5	9	10	12.5	15	18	20	25	30	36	40	50	60	75	90	100	120	150	180	200
MODEL	rpm	500	416	300	250	200	166	150	120	100	83	75	60	50	41	37	30	25	20	16	15	12	10	8	7.5
	kg-cm	5.3	6.4	8.9	10.7	13.4	16.0	17.8	22.3	26.7	32.1	32.1	40.2	48.2	57.8	64.2	72.6	80.0	80.0	80.0	80.0	80.0	80.0	80.0	80.0
S8KA□B	N·m	0.519	0.627	0.872	1.049	1.313	1.568	1.744	2.185	2.617	3.146	3.146	3.940	4.724	5.664	6.292	7.115	7.840	7.840	7.840	7.840	7.840	7.840	7.840	7.840

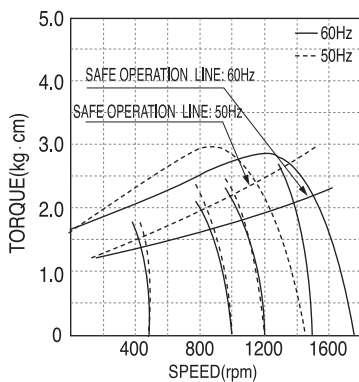
60Hz

GEAR RATIO		3	3.6	5	6	7.5	9	10	12.5	15	18	20	25	30	36	40	50	60	75	90	100	120	150	180	200
MODEL	rpm	600	500	360	300	240	200	180	144	120	100	90	72	60	50	45	36	30	24	20	18	15	12	10	9
	kg-cm	4.4	5.2	7.3	8.7	10.9	13.1	14.6	18.2	21.9	26.2	26.3	32.9	39.4	47.3	52.6	59.4	71.3	80.0	80.0	80.0	80.0	80.0	80.0	80.0
S8KA□B	N·m	0.431	0.510	0.715	0.853	1.068	1.284	1.431	1.784	2.146	2.568	2.577	3.224	3.861	4.635	5.155	5.821	6.987	7.840	7.840	7.840	7.840	7.840	7.840	7.840

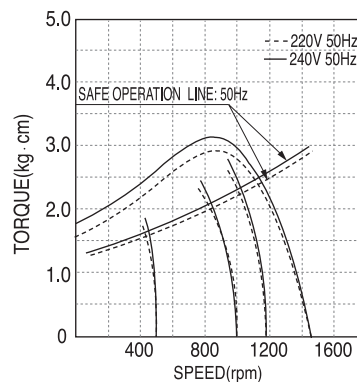
- ❖ The code in □ of gearhead model is for gear ratio.
- ❖ It is the permissible torque of the assembled motor and gearhead.
- ❖ The permissible torque of the motor and inter-decimal gearhead is 80 kg-cm.
- ❖ ■ color indicates that the output shaft of the geared motor rotates in the same direction as the output shaft of the motor. Others indicate rotation in the opposite direction.
- ❖ Rpm is based on synchronous speed (50Hz: 1500rpm, 60Hz: 1800rpm) divided by gear ratio. The actual rotation speed can be 2~20% less than displayed value depending on the load.
- ❖ "L" or "H" type does not apply to motors under 40W.



- ▲ S8R25GA-S12 S8R25GA-S24
- S8R25GA-S12(TP) S8R25GA-S24(TP)
- S8R25GA-S12CE S8R25GA-S24CE
- S8R25GB-S12 S8R25GB-S24
- S8R25GB-S12(TP) S8R25GB-S24(TP)
- S8R25GB-S12CE S8R25GB-S24



- ▲ S8R25GC-S12 S8R25GC-S24
- S8R25GC-S12(TP) S8R25GC-S24(TP)
- S8R25GC-S12CE S8R25GC-S24CE
- S8R25GD-S12 S8R25GD-S24
- S8R25GC-S12 S8R25GC-S24(TP)
- S8R25GD-S12CE S8R25GD-S24CE

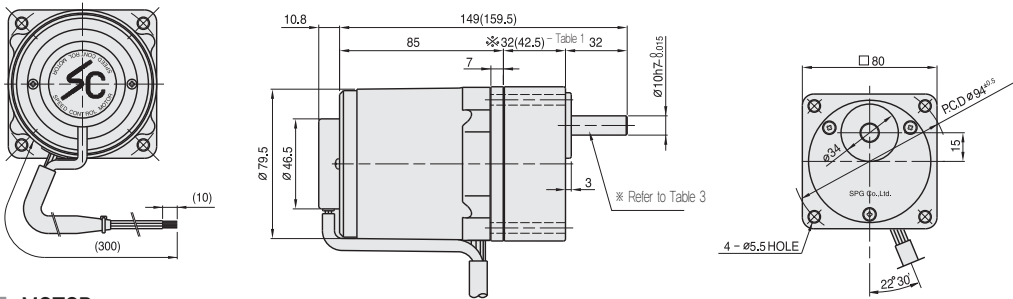


- ▲ S8R25GX-S12 S8R25GX-S24
- S8R25GX-S12CE S8R25GX-S24CE

DIMENSIONS

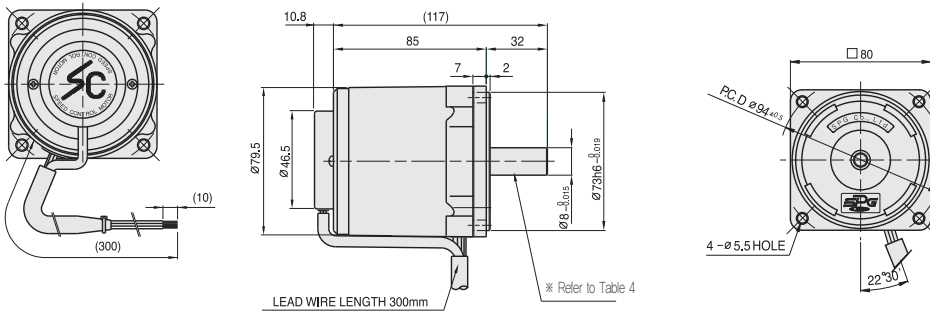
+ GEARED MOTOR

* MOTOR MODEL : S8R(15, 25)G□-S12, S8R(15,25)G□-S24
 * HEAD MODEL : S8□A3□-S8□A200□



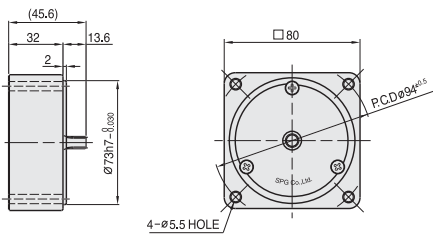
+ MOTOR

* MOTOR MODEL : S8R(15,25)□□-S12, S8R(15,25)□□-S24

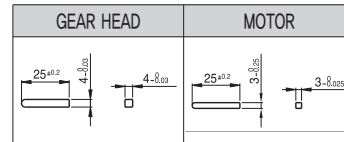


+ INTER-DECIMAL GEAR HEAD

* MODEL : S8GX10B



+ KEY SPEC



+ SPEC for output shaft of motor - (Table4)

MODEL	TYPES OF OUTPUT SHAFT
GEAR TYPE S8R15G□-S12 S8R25G□-S12 S8R15G□-S24 S8R25G□-S24	
STRAIGHT TYPE S8R15S□-S12 S8R25S□-S12 S8R15S□-S24 S8R25S□-S24	
D-CUT TYPE S8R15D□-S12 S8R25D□-S12 S8R15D□-S24 S8R25D□-S24	
KEY TYPE S8R15K□-S12 S8R25K□-S12 S8R15K□-S24 S8R25K□-S24	

+ *26(35) - (Table1)

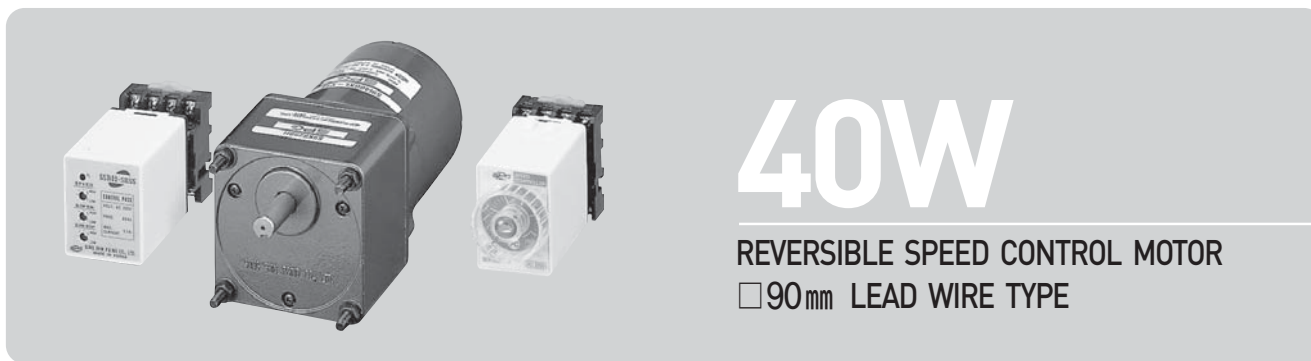
GEAR RATIO	SIZE(mm)
S8□A3□ ~ S8□A18□	32
S8□A20□ ~ S8□A200□	42.5

+ WEIGHT - (Table2)

PART	WEIGHT(kg)	
15W MOTOR	1.6	
25W MOTOR	1.6	
DECIMAL GEAR HEAD	0.43	
GEAR HEAD	S8□A3□ ~ S8□A18□	0.43
	S8□A20□ ~ S8□A40□	0.57
	S8□A50□ ~ S8□A200□	0.61

+ SPEC for output shaft of gearhead - (Table3)

MODEL	TYPES OF OUTPUT SHAFT
STRAIGHT TYPE S8SA3□ ~ S8SA200□	
D-CUT TYPE S8DA3□ ~ S8DA200□	
KEY TYPE S8KA3□ ~ S8KA200□	



SPECIFICATION OF SR TYPE SPEED CONTROL MOTORS

SIZE mm sq.	Motor Type	Controller Type	Poles	Output (w)	Voltage (V)	Freq. (Hz)	Duty	Speed Range (rpm)	Permissible Torque				Starting Torque		Cap. (μ F)	
									at 1200rpm		at 90rpm		(kg-cm)	(N-m)		(kg-cm)
90	S9R40GA()-S12 S9R40GA()-S12(TP) S9R40GA()-S12CE	SRA02 SRA02CE	4	40	1 ϕ 110	60	30min.	90-1700	2.80	0.280	1.10	0.110	3.50	0.350	15.0	
	S9R40GB()-S12 S9R40GB()-S12(TP) S9R40GB()-S12CE	SRB02 SRB02CE	4	40	1 ϕ 220	60	30min.	90-1700	2.80	0.280	1.10	0.110	3.50	0.350	4.0	
	S9R40GC()-S12 S9R40GC()-S12(TP) S9R40GC()-S12CE	SRC02 SRC02CE	4	40	1 ϕ 100	50	30min.	90-1400	3.00	0.300	1.10	0.110	3.00	0.300	15.0	
			60	90-1700	2.10	0.210										
		S9R40GD()-S12 S9R40GD()-S12(TP) S9R40GD()-S12CE	SRD02 SRD02CE	4	40	1 ϕ 200	50	30min.	90-1400	3.00	0.300	0.95	0.095	3.00	0.300	4.0
				60	90-1700	2.10	0.210									
		S9R40GX()-S12 S9R40GX()-S12CE	SRX02 SRX02CE	4	40	1 ϕ 220 1 ϕ 240	50	30min.	90-1400	2.50	0.250	0.90	0.090	2.90	0.290	3.0
									3.80	0.380	0.90	0.090	3.30	0.330		

- ❖ CE marked at the end of motor model name indicates that it is thermally protected type which has received CE.
- ❖ SR type controller model with "CE" appeared at the end of motor model name indicates that the product acquired CE MARK certification.
- ❖ TP marked at the end of the motor model name indicates that it is standard motor with Thermal Protector mounted.
S9R40GX-S12, S9R40GX-S12CE is thermally protected type with TP mounted.
- ❖ () is for marking 'L' type or 'H'. 'L' should be used with gearhead 'L' and 'H' should be used with gearhead 'H'.

SPECIFICATION OF SS TYPE SPEED CONTROL MOTORS

SIZE mm sq.	Motor Type	Controller Type	Poles	Output (w)	Voltage (V)	Freq. (Hz)	Duty	Speed Range (rpm)	Permissible Torque				Starting Torque		Cap. (μ F)	
									at 1200rpm		at 90rpm		(kg-cm)	(N-m)		(kg-cm)
90	S9R40GA()-S24 S9R40GA()-S24(TP) S9R40GA()-S24CE	SSA02-SRSS SSA03-SRSS	4	40	1 ϕ 110	60	30min.	90-1700	2.80	0.280	1.10	0.110	3.50	0.350	15.0	
	S9R40GB()-S24 S9R40GB()-S24(TP) S9R40GB()-S24CE	SSB02-SRSS SSB03-SRSS	4	40	1 ϕ 220	60	30min.	90-1700	2.80	0.280	1.10	0.110	3.50	0.350	4.0	
	S9R40GC()-S24 S9R40GC()-S24(TP) S9R40GC()-S24CE	SSC02-SRSS SSC03-SRSS	4	40	1 ϕ 100	50	30min.	90-1400	3.00	0.300	1.10	0.110	3.00	0.300	15.0	
			60	90-1700	2.10	0.210										
		S9R40GD()-S24 S9R40GD()-S24(TP) S9R40GD()-S24CE	SSD02-SRSS SSD03-SRSS	4	40	1 ϕ 200	50	30min.	90-1400	3.00	0.300	0.95	0.095	3.00	0.300	4.0
				60	90-1700	2.10	0.210									
		S9R40GX()-S24 S9R40GX()-S24CE	SSX02-SRSS SSX03-SRSS	4	40	1 ϕ 220 1 ϕ 240	50	30min.	90-1400	2.50	0.250	0.90	0.090	2.90	0.290	3.0
									3.80	0.380	0.90	0.090	3.30	0.330		

- ❖ CE marked at the end of motor model name indicates that it is thermally protected type which has received CE.
- ❖ TP marked at the end of the motor model name indicates that it is standard motor with Thermal Protector mounted.
S9R40GX-S24, S9R40GX-S24CE is thermally protected type with TP mounted.
- ❖ () is for marking 'L' type or 'H'. 'L' should be used with gearhead 'L' and 'H' should be used with gearhead 'H'.

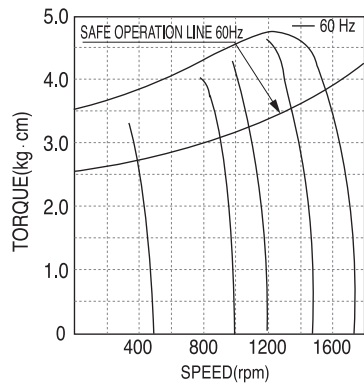
50Hz

GEAR RATIO		3	3.6	5	6	7.5	9	10	12.5	15	18	20	25	30	36	40	50	60	75	90	100	120	150	180	200
MODEL	rpm	500	416	300	250	200	166	150	120	100	83	75	60	50	41	37	30	25	20	16	15	12	10	8	7.5
	kg-cm	8.3	9.9	13.8	16.5	20.7	24.8	27.5	34.4	41.3	49.6	49.6	62.1	74.5	89.4	99.3	100	100	100	100	100	100	100	100	100
S9KB□()	N·m	0.813	0.970	1.352	1.617	2.029	2.430	2.695	3.371	4.047	4.861	4.861	6.086	7.301	8.761	9.731	9.800	9.800	9.800	9.800	9.800	9.800	9.800	9.800	9.800

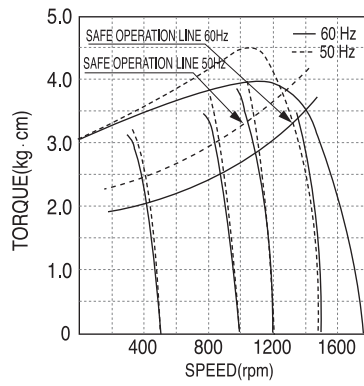
60Hz

GEAR RATIO		3	3.6	5	6	7.5	9	10	12.5	15	18	20	25	30	36	40	50	60	75	90	100	120	150	180	200
MODEL	rpm	600	500	360	300	240	200	180	144	120	100	90	72	60	50	45	36	30	24	20	18	15	12	10	9
	kg-cm	6.8	8.2	11.3	13.6	17.0	20.4	22.7	28.4	34.0	40.8	40.9	51.1	61.3	73.6	81.8	100	100	100	100	100	100	100	100	100
S9KB□()	N·m	0.666	0.804	1.107	1.333	1.666	1.999	2.225	2.783	3.332	3.998	4.008	5.008	6.007	7.213	8.016	9.800	9.800	9.800	9.800	9.800	9.800	9.800	9.800	9.800

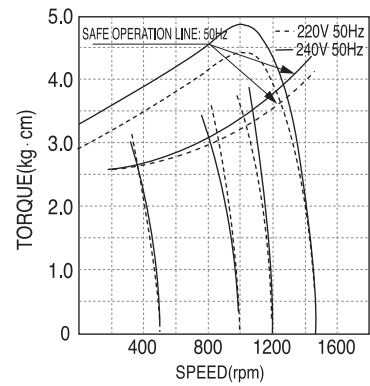
- ❖ The code in □ of gearhead model is for gear ratio.
- ❖ It is the permissible torque of the assembled motor and gearhead.
- ❖ The permissible torque of the motor and inter-decimal gearhead is 100 kg-cm.
- ❖ ■ color indicates that the output shaft of the geared motor rotates in the same direction as the output shaft of the motor. Others indicate rotation in the opposite direction.
- ❖ Rpm is based on synchronous speed (50Hz: 1500rpm, 60Hz: 1800rpm) divided by gear ratio. The actual rotation speed can be 2~20% less than displayed value depending on the load.
- ❖ () is for marking 'L' type or 'H'. 'L' should be used with gearhead 'L' and 'H' should be used with gearhead 'H'.



- ▲ S9R40GA()-S12 S9R40GA()-S24
- S9R40GA()-S12(TP) S9R40GA()-S24(TP)
- S9R40GA()-S12CE S9R40GA()-S24CE
- S9R40GB()-S12 S9R40GB()-S24
- S9R40GB()-S12(TP) S9R40GB()-S24(TP)
- S9R40GB()-S12CE S9R40GB()-S24



- ▲ S9R40GC()-S12 S9R40GC()-S24
- S9R40GC()-S12(TP) S9R40GC()-S24(TP)
- S9R40GC()-S12CE S9R40GC()-S24CE
- S9R40GD()-S12 S9R40GD()-S24
- S9R40GC()-S12 S9R40GC()-S24(TP)
- S9R40GD()-S12CE S9R40GD()-S24CE

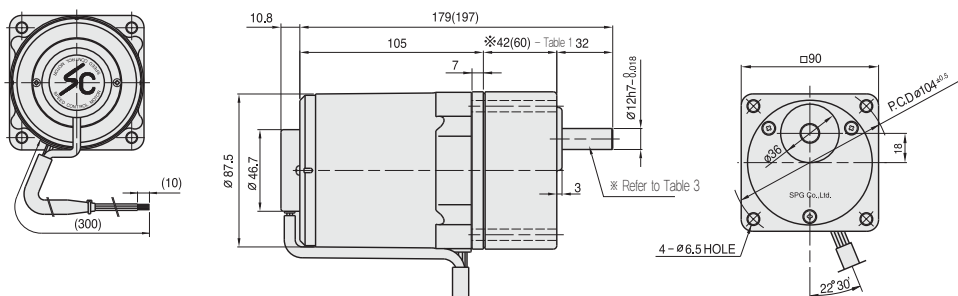


- ▲ S9R40GX()-S12 S9R40GX()-S24
- S9R40GX()-S12CE S9R40GX()-S24CE

DIMENSIONS

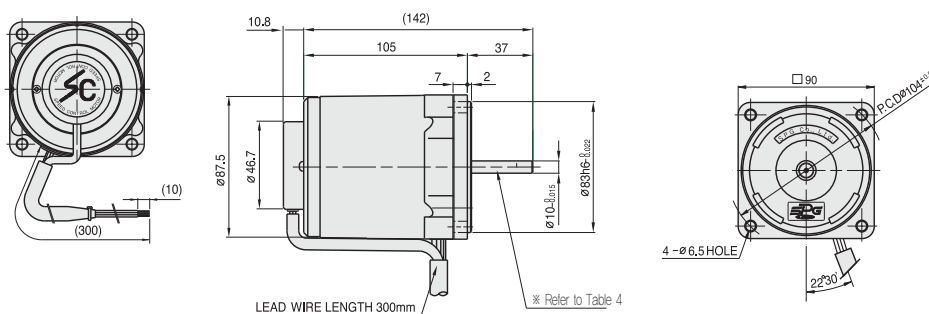
+ GEARED MOTOR

- * MOTOR MODEL : S9R40G□□-S12, S9R40G□□-S24
- * HEAD MODEL : S9□B3□~S9□B200□



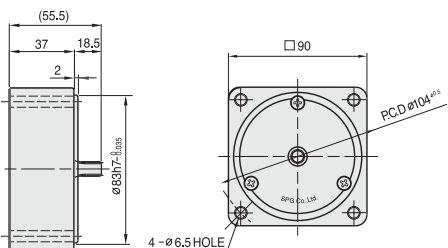
+ MOTOR

- * MOTOR MODEL : S9R40□□□□-S12, S9R40□□□□-S24

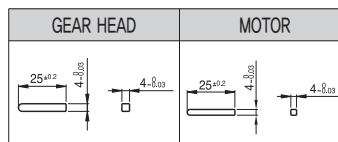


+ INTER-DECIMAL GEAR HEAD

- * MODEL : S9GX10B(H,L)



+ KEY SPEC



+ SPEC for output shaft of motor - (Table 4)

MODEL	TYPES OF OUTPUT SHAFT
GEAR TYPE	
S9R40G□□-S12 S9R40G□□-S24	
STRAIGHT TYPE	
S9R40S□□-S12 S9R40S□□-S24	
D-CUT TYPE	
S9R40D□□-S12 S9R40D□□-S24	
KEY TYPE	
S9R40K□□-S12 S9R40K□□-S24	

+ *26(35) - (Table 1)

GEAR RATIO	SIZE(mm)
S9□B3□ ~ S9□B18□	42
S9□B20□ ~ S9□B200□	60

+ WEIGHT - (Table 2)

PART	WEIGHT(kg)	
MOTOR	2.48	
DECIMAL GEAR HEAD	0.60	
GEAR HEAD	S9□B3□ ~ S9□B18□	0.73
	S9□B20□ ~ S9□B40□	1.03
	S9□B50□ ~ S9□B200□	1.13

+ SPEC for output shaft of gearhead - (Table 3)

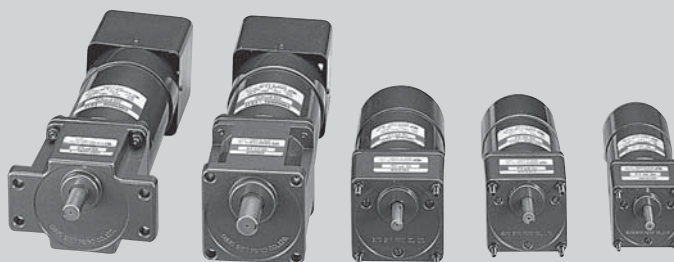
MODEL	TYPES OF OUTPUT SHAFT
STRAIGHT TYPE	
S9SB3□ ~ S9SB200□	
D-CUT TYPE	
S9DB3□ ~ S9DB200□	
KEY TYPE	
S9KB3□ ~ S9KB200□	

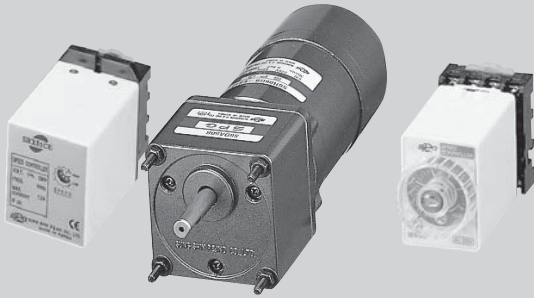


SPEED CONTROL ELECTROMAGNETIC BRAKE MOTOR (E · S MOTOR)

INDEX

SPEED CONTROL ELECTROMAGNETIC BRAKE MOTOR 6W(□60mm)	252
SPEED CONTROL ELECTROMAGNETIC BRAKE MOTOR 15W(□70mm)	255
SPEED CONTROL ELECTROMAGNETIC BRAKE MOTOR 15W(□80mm)	258
SPEED CONTROL ELECTROMAGNETIC BRAKE MOTOR 25W(□80mm)	260
SPEED CONTROL ELECTROMAGNETIC BRAKE MOTOR 40W (□90mm)	263
SPEED CONTROL ELECTROMAGNETIC BRAKE MOTOR 60W(□90mm)	266
SPEED CONTROL ELECTROMAGNETIC BRAKE MOTOR 90W(□90mm)	269





6W

E · S MOTOR □ 60mm LEAD WIRE TYPE

SPECIFICATION OF SR TYPE SPEED CONTROL MOTORS

SIZE mm sq.	Motor Type	Controller Type	Poles	Output (W)	Voltage (V)	Freq. (Hz)	Duty	Speed Range (rpm)	Permissible Torque				Starting Torque		Cap. (μ F)
									at 1200rpm		at 90rpm		(kg-cm)	(N-m)	
60	S6R06GA-ES12 S6R06GA-ES12CE	SRA01 SRA01CE	4	6	1 ϕ 110	60	30min.	90-1700	0.62	0.062	0.45	0.045	0.55	0.055	3.0
	S6R06GB-ES12 S6R06GB-ES12CE	SRB01 SRB01CE	4	6	1 ϕ 220	60	30min.	90-1700	0.62	0.062	0.45	0.045	0.55	0.055	0.8
	S6R06GC-ES12 S6R06GC-ES12CE	SRC01 SRC01CE	4	6	1 ϕ 100	50 60	30min.	90-1400 90-1700	0.56	0.056	0.38	0.038	0.50	0.050	3.0
	S6R06GD-ES12 S6R06GD-ES12CE	SRD01 SRD01CE	4	6	1 ϕ 200	50 60	30min.	90-1400 90-1700	0.55	0.055	0.38	0.038	0.50	0.050	0.8
	S6R06GX-ES12 S6R06GX-ES12CE	SRX01 SRX01CE	4	6	1 ϕ 220 1 ϕ 240	50	30min.	90-1400	0.47 0.52	0.047 0.052	0.38 0.38	0.038 0.038	0.45 0.52	0.045 0.052	0.7

❖ CE marked at the end of motor model name indicates that it is thermally protected type which has received CE.

❖ SR type controller model with "CE" appeared at the end of motor model name indicates that the product acquired CE MARK certification.

❖ "L" or "H" type does not apply to motors under 40W.

SPECIFICATION OF SOCKET SS TYPE SPEED CONTROL MOTORS

SIZE mm sq.	Motor Type	Controller Type	Poles	Output (W)	Voltage (V)	Freq. (Hz)	Duty	Speed Range (rpm)	Permissible Torque				Starting Torque		Cap. (μ F)
									at 1200rpm		at 90rpm		(kg-cm)	(N-m)	
60	S6R06GA-ES24 S6R06GA-ES24CE	SSA01-SRSS SSA03-SRSS	4	6	1 ϕ 110	60	30min.	90-1700	0.62	0.062	0.45	0.045	0.55	0.055	3.0
	S6R06GB-ES24 S6R06GB-ES24CE	SSB01-SRSS SSB03-SRSS	4	6	1 ϕ 220	60	30min.	90-1700	0.62	0.062	0.45	0.045	0.55	0.055	0.8
	S6R06GC-ES24 S6R06GC-ES24CE	SSC01-SRSS SSC03-SRSS	4	6	1 ϕ 100	50 60	30min.	90-1400 90-1700	0.56	0.056	0.38	0.038	0.50	0.050	3.0
	S6R06GD-ES24 S6R06GD-ES24CE	SSD01-SRSS SSD03-SRSS	4	6	1 ϕ 200	50 60	30min.	90-1400 90-1700	0.55	0.055	0.38	0.038	0.50	0.050	0.8
	S6R06GX-ES24 S6R06GX-ES24CE	SSX01-SRSS SSX03-SRSS	4	6	1 ϕ 220 1 ϕ 240	50	30min.	90-1400	0.47 0.52	0.047 0.052	0.38 0.38	0.038 0.038	0.45 0.52	0.045 0.052	0.7

❖ CE marked at the end of motor model name indicates that it is thermally protected type which has received CE.

❖ "L" or "H" type does not apply to motors under 40W.

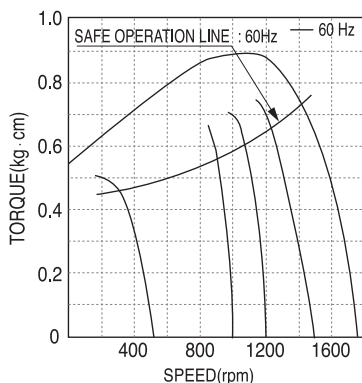
50Hz

GEAR RATIO		3	3.6	5	6	7.5	9	10	12.5	15	18	20	25	30	36	40	50	60	75	90	100	120	150	180	200	250
MODEL	rpm	500	416	300	250	200	166	150	120	100	83	75	60	50	41	37	30	25	20	16	15	12	10	8	7.5	6
	kg-cm	1.3	1.5	2.1	2.6	3.2	3.9	4.3	5.4	6.4	7.7	7.7	9.7	11.6	13.9	15.5	17.5	21.0	26.2	30.0	30.0	30.0	30.0	30.0	30.0	30.0
S6DA□B	N·m	0.127	0.147	0.206	0.255	0.314	0.382	0.421	0.529	0.627	0.755	0.755	0.951	1.137	1.362	1.519	1.715	2.058	2.568	2.942	2.942	2.942	2.942	2.942	2.942	2.942

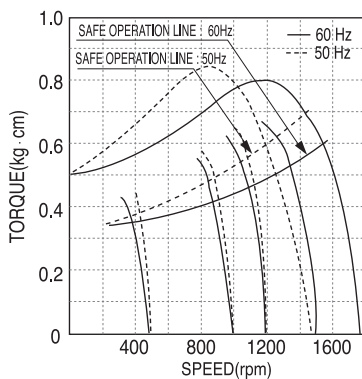
60Hz

GEAR RATIO		3	3.6	5	6	7.5	9	10	12.5	15	18	20	25	30	36	40	50	60	75	90	100	120	150	180	200	250
MODEL	rpm	600	500	360	300	240	200	180	144	120	100	90	72	60	50	45	36	30	24	20	18	15	12	10	9	7.2
	kg-cm	1.0	1.3	1.7	2.1	2.6	3.1	3.5	4.4	5.2	6.3	6.3	7.8	9.4	11.3	12.6	14.2	17.0	21.3	25.5	28.4	30.0	30.0	30.0	30.0	30.0
S6DA□B	N·m	0.098	0.127	0.167	0.206	0.255	0.304	0.343	0.431	0.510	0.617	0.617	0.764	0.921	1.107	1.235	1.392	1.666	2.087	2.499	2.783	2.942	2.942	2.942	2.942	2.942

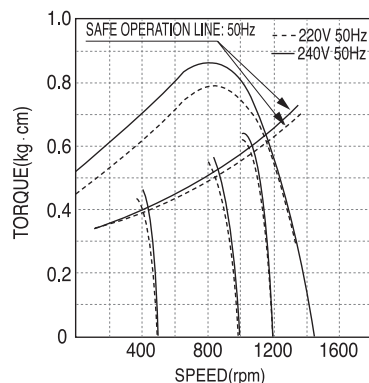
- ❖ The code in □ of gearhead model is for gear ratio.
- ❖ It is the permissible torque of the assembled motor and gearhead.
- ❖ The permissible torque of the motor and inter-decimal gearhead is 30 kg-cm.
- ❖ ■ color indicates that the output shaft of the geared motor rotates in the same direction as the output shaft of the motor. Others indicate rotation in the opposite direction.
- ❖ Rpm is based on synchronous speed (50Hz: 1500rpm, 60Hz: 1800rpm) divided by gear ratio. The actual rotation speed can be 2~20% less than displayed value depending on the load.
- ❖ "L" or "H" type does not apply to motors under 40W.



▲ S6R06GA-ES12 S6R06GA-ES24
 S6R06GA-ES12CE S6R06GA-ES24CE
 S6R06GB-ES12 S6R06GB-ES24
 S6R06GB-ES12CE S6R06GB-ES24



▲ S6R06GC-ES12 S6R06GC-ES24
 S6R06GC-ES12CE S6R06GC-ES24CE
 S6R06GD-ES12 S6R06GD-ES24
 S6R06GD-ES12CE S6R06GD-ES24CE

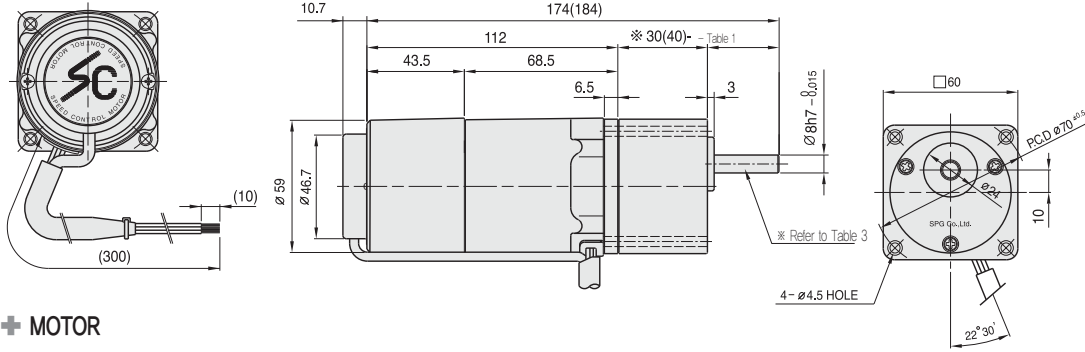


▲ S6R06GX-ES12 S6R06GX-ES24
 S6R06GX-ES12CE S6R06GX-ES24CE

DIMENSIONS

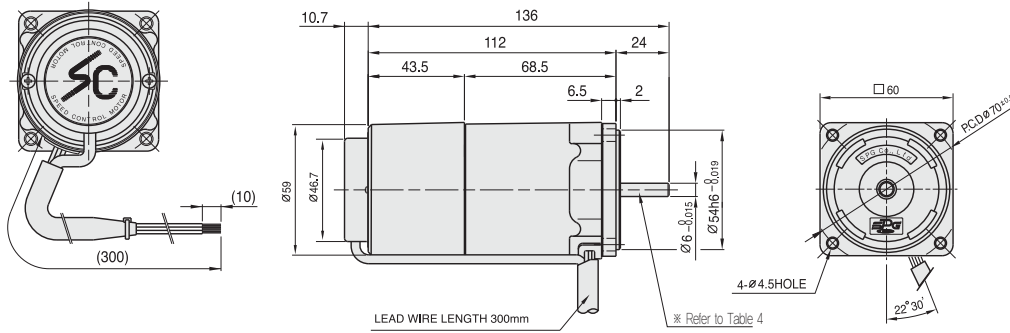
+ GEARED MOTOR

* MOTOR MODEL : S6R06G□-ES12, S6R06G□-ES24
 * HEAD MODEL : S6□A3□-S6□A250□



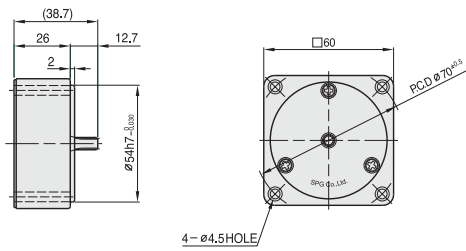
+ MOTOR

* MOTOR MODEL : S6R06□□-ES12, S6R06□□-ES24

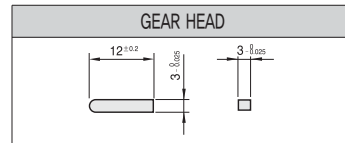


+ INTER-DECIMAL GEAR HEAD

* MODEL : S6GX10B



+ KEY SPEC



+ *26(35) - (Table 1)

GEAR RATIO	SIZE(mm)
S6□A3□ ~ S6□A18□	30
S6□A20□ ~ S6□A250□	40

+ WEIGHT - (Table 2)

PART	WEIGHT(kg)	
MOTOR	1.00	
DECIMAL GEAR HEAD	0.18	
GEAR HEAD	S6□A3□ ~ S6□A18□	0.24
	S6□A20□ ~ S6□A40□	0.30
	S6□A50□ ~ S6□A250□	0.33

+ SPEC for output shaft of gearhead - (Table 3)

MODEL	TYPES OF OUTPUT SHAFT
S6SA3□ ~S6SA250□	STRAIGHT TYPE
	D-CUT TYPE
S6DA3□ ~S6DA250□	KEY TYPE
S6KA3□ ~S6KA250□	KEY TYPE

+ SPEC for output shaft of motor - (Table 4)

MODEL	TYPES OF OUTPUT SHAFT
S6R06G□-ES12 S6R06G□-ES24	GEAR TYPE
S6R06S□-ES12 S6R06S□-ES24	STRAIGHT TYPE
S6R60D□-ES12 S6R60D□-ES24	D-CUT TYPE



SPECIFICATION OF SR TYPE SPEED CONTROL MOTORS

SIZE mm sq.	Motor Type	Controller Type	Poles	Output (W)	Voltage (V)	Freq. (Hz)	Duty	Speed Range (rpm)	Permissible Torque				Starting Torque		Cap. (μ F)
									at 1200rpm		at 90rpm		(kg-cm)	(N-m)	
70	S7R15GA-ES12 S7R15GA-ES12(TP) S7R15GA-ES12CE	SRA02 SRA02CE	4	15	1 ϕ 110	60	30min.	90-1700	1.40	0.140	0.70	0.070	1.30	0.130	6.0
	S7R15GB-ES12 S7R15GB-ES12(TP) S7R15GB-ES12CE	SRB02 SRB02CE	4	15	1 ϕ 220	60	30min.	90-1700	1.40	0.140	0.70	0.070	1.30	0.130	1.5
	S7R15GC-ES12 S7R15GC-ES12(TP) S7R15GC-ES12CE	SRC02 SRC02CE	4	15	1 ϕ 100	50 60	30min.	90-1400 90-1700	1.10 0.90	0.110 0.090	0.60	0.060	1.00	0.100	6.0
	S7R15GD-ES12 S7R15GD-ES12(TP) S7R15GD-ES12CE	SRD02 SRD02CE	4	15	1 ϕ 200	50 60	30min.	90-1400 90-1700	1.10 0.90	0.110 0.090	0.60	0.060	1.00	0.100	1.5
	S7R15GX-ES12 S7R15GX-ES12CE	SRX02 SRX02CE	4	15	1 ϕ 220 1 ϕ 240	50	30min.	90-1400	1.00 1.15	0.100 0.115	0.55 0.60	0.055 0.060	0.90 1.00	0.090 0.100	1.2

- ❖ CE marked at the end of motor model name indicates that it is thermally protected type which has received CE.
- ❖ SR type controller model with "CE" appeared at the end of motor model name indicates that the product acquired CE MARK certification.
- ❖ TP marked at the end of the motor model name indicates that it is standard motor with Thermal Protector mounted.
S7R15GX-ES12, S7R15GX-ES12CE is thermally protected type with TP mounted.
- ❖ "L" or "H" type does not apply to motors under 40W.

SPECIFICATION OF SS TYPE SPEED CONTROL MOTORS

SIZE mm sq.	Motor Type	Controller Type	Poles	Output (W)	Voltage (V)	Freq. (Hz)	Duty	Speed Range (rpm)	Permissible Torque				Starting Torque		Cap. (μ F)
									at 1200rpm		at 90rpm		(kg-cm)	(N-m)	
70	S7R15GA-ES24 S7R15GA-ES24(TP) S7R15GA-ES24CE	SSA02-SRSS SSA03-SRSS	4	15	1 ϕ 110	60	30min.	90-1700	1.40	0.140	0.70	0.070	1.30	0.130	6.0
	S7R15GB-ES24 S7R15GB-ES24(TP) S7R15GB-ES24CE	SSB02-SRSS SSB03-SRSS	4	15	1 ϕ 220	60	30min.	90-1700	1.40	0.140	0.70	0.070	1.30	0.130	1.5
	S7R15GC-ES24 S7R15GC-ES24(TP) S7R15GC-ES24CE	SSC02-SRSS SSC03-SRSS	4	15	1 ϕ 100	50 60	30min.	90-1400 90-1700	1.10 0.90	0.110 0.090	0.60	0.060	1.00	0.100	6.0
	S7R15GD-ES24 S7R15GD-ES24(TP) S7R15GD-ES24CE	SSD02-SRSS SSD03-SRSS	4	15	1 ϕ 200	50 60	30min.	90-1400 90-1700	1.10 0.90	0.110 0.090	0.60	0.060	1.00	0.100	1.5
	S7R15GX-ES24 S7R15GX-ES24CE	SSX02-SRSS SSX03-SRSS	4	15	1 ϕ 220 1 ϕ 240	50	30min.	90-1400	1.00 1.15	0.100 0.115	0.55 0.60	0.055 0.060	0.90 1.00	0.090 0.100	1.2

- ❖ CE marked at the end of motor model name indicates that it is thermally protected type which has received CE.
- ❖ TP marked at the end of the motor model name indicates that it is standard motor with Thermal Protector mounted.
S7R15GX-ES24, S7R15GX-ES24CE is thermally protected type with TP mounted.
- ❖ "L" or "H" type does not apply to motors under 40W.

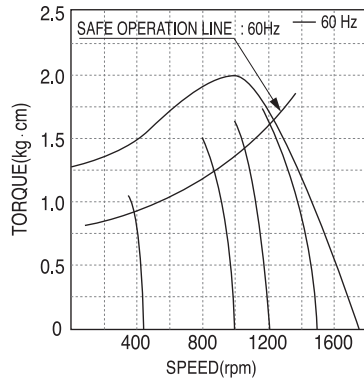
50Hz

GEAR RATIO		3	3.6	5	6	7.5	9	10	12.5	15	18	20	25	30	36	40	50	60	75	90	100	120	150	180	200
MODEL	rpm	500	416	300	250	200	166	150	120	100	83	75	60	50	41	37	30	25	20	16	15	12	10	8	7.5
	kg·cm	3.2	3.9	5.4	6.5	8.1	9.7	10.8	13.5	16.2	19.4	19.4	24.2	29.1	34.9	38.8	43.6	50.0	50.0	50.0	50.0	50.0	50.0	50.0	50.0
S7KA□B	N·m	0.314	0.382	0.530	0.637	0.794	0.951	1.059	1.324	1.587	1.902	1.902	2.373	2.854	3.423	3.805	4.276	4.900	4.900	4.900	4.900	4.900	4.900	4.900	4.900

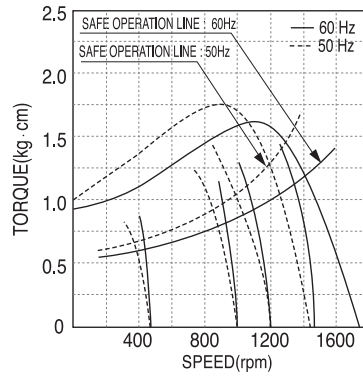
60Hz

GEAR RATIO		3	3.6	5	6	7.5	9	10	12.5	15	18	20	25	30	36	40	50	60	75	90	100	120	150	180	200
MODEL	rpm	600	500	360	300	240	200	180	144	120	100	90	72	60	50	45	36	30	24	20	18	15	12	10	9
	kg·cm	3.0	3.6	5.1	6.1	7.6	9.1	10.1	12.7	15.2	18.2	18.2	22.8	27.3	32.8	36.5	41.0	49.2	50.0	50.0	50.0	50.0	50.0	50.0	50.0
S7KA□B	N·m	0.294	0.353	0.500	0.598	0.745	0.892	0.990	1.245	1.491	1.785	1.785	2.236	2.677	3.217	3.579	4.021	4.825	4.900	4.900	4.900	4.900	4.900	4.900	4.900

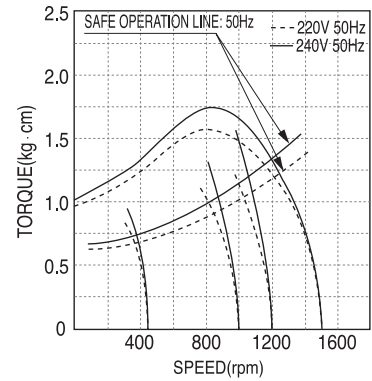
- ❖ The code in □ of gearhead model is for gear ratio.
- ❖ It is the permissible torque of the assembled motor and gearhead.
- ❖ ■ color indicates that the output shaft of the geared motor rotates in the same direction as the output shaft of the motor.
Others indicate rotation in the opposite direction.
- ❖ Rpm is based on synchronous speed (50Hz: 1500rpm, 60Hz: 1800rpm) divided by gear ratio.
The actual rotation speed can be 2~20% less than displayed value depending on the load.
- ❖ "L" or "H" type does not apply to motors under 40W.



- ▲ S7R15GA-ES12 S7R15GA-ES24
- S7R15GA-ES12(TP) S7R15GA-ES24(TP)
- S7R15GA-ES12CE S7R15GA-ES24CE
- S7R15GB-ES12 S7R15GB-ES24
- S7R15GB-ES12(TP) S7R15GB-ES24(TP)
- S7R15GB-ES12CE S7R15GB-ES24CE



- ▲ S7R15GC-ES12 S7R15GC-ES24
- S7R15GC-ES12(TP) S7R15GC-ES24(TP)
- S7R15GC-ES12CE S7R15GC-ES24CE
- S7R15GD-ES12 S7R15GD-ES24
- S7R15GD-ES12(TP) S7R15GD-ES24(TP)
- S7R15GD-ES12CE S7R15GD-ES24CE



- ▲ S7R15GX-ES12 S7R15GX-ES24
- S7R15GX-ES12CE S7R15GX-ES24CE