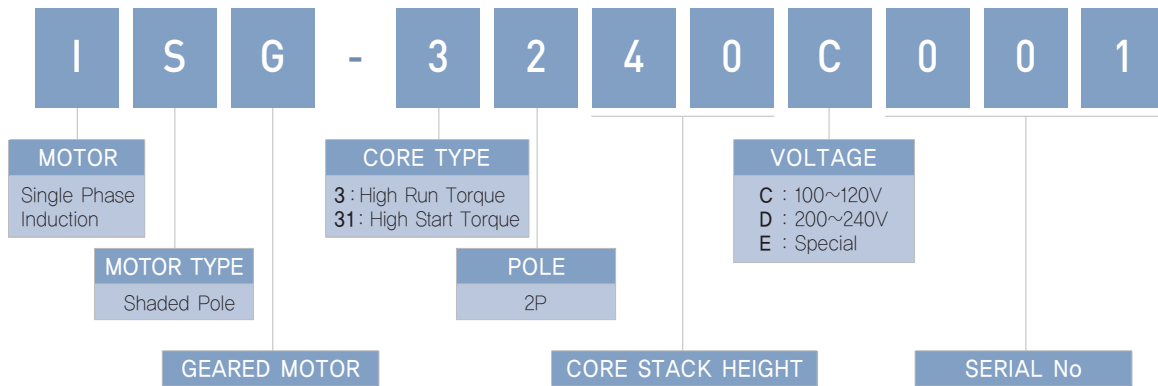
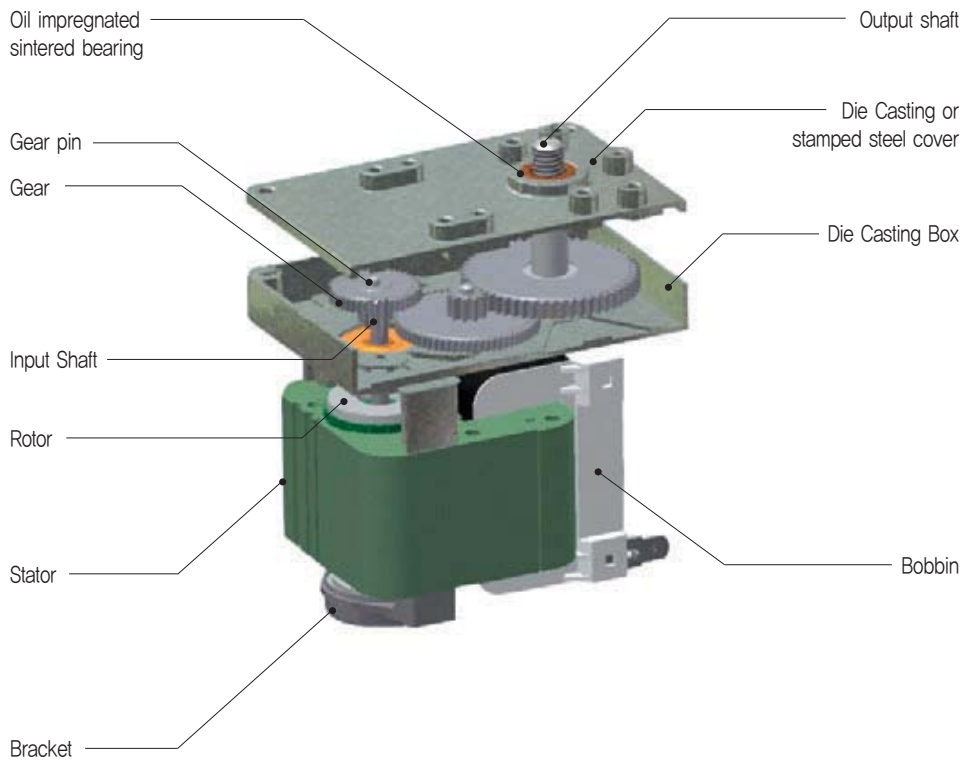


# CODING SYSTEM

## ■ Coding System



## ■ Typical Geared Motor Construction



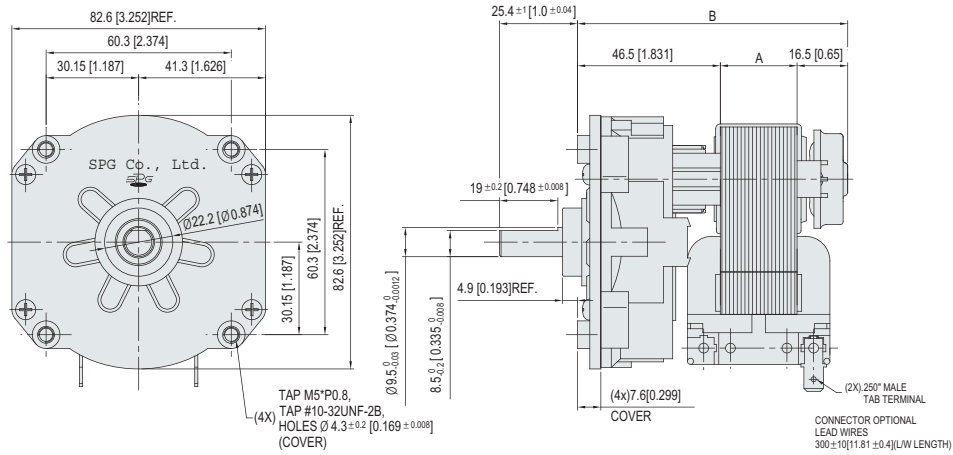


# GEAR BOX SP Series motor ISG-3 Type

Maximum permissible torque of gear box : 115kgf-cm Max.

## DIMENSION

UNIT : mm[inch]



Maximum permissible torque of gear box | 12

Type	A		B	
ISG-3215	15	0.591	78	3.071
ISG-3220	20	0.787	83	3.268
ISG-3225	25	0.984	88	3.465
ISG-3230	30	1.181	93	3.661
ISG-3240	40	1.575	103	4.055
ISG-3250	50	1.969	113	4.449

## REDUCTION RATIOS & OUTPUT SPEED

Ratio	32.4	73.5	148.8	253	328.4	747.5	860.3	1470.9	3105	
Gear Steps	3		4			5	6			
Output Speed(Ref.)	@ 60Hz	111.1	49.0	24.2	14.2	11.0	4.8	4.2	2.4	1.2
	@ 50Hz	92.6	40.8	20.2	11.9	9.1	4.0	3.5	2.0	1.0

- Depending on Motor spec and Gear Box reduction ratio combination, Output speed and Torque specification can differ.
- If Cooling Fan and Clutch installed, Refer to Accessory Part. (Due to Fan and Clutch installation, motor's length is extended).
- Please contact our sales department regarding other gear ratio.
- The speed is calculated by dividing the motors synchronous speed (50Hz : 3,000rpm, 60Hz : 3,600rpm) by the gear ratio.

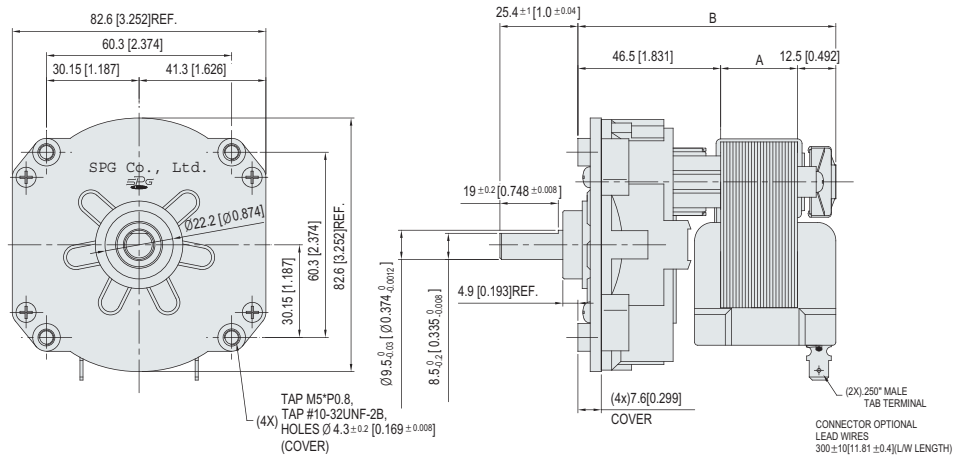


# GEAR BOX SP Series motor ISG-31 Type

Maximum permissible torque of gear box : 115kgf-cm Max.

## DIMENSION

UNIT : mm[inch]



Type	A		B	
ISG-31215	15	0.591	74	2,913
ISG-31220	20	0.787	79	3,110
ISG-31225	25	0.984	84	3,307
ISG-31230	30	1.181	89	3,504

## REDUCTION RATIOS & OUTPUT SPEED

Ratio	32.4	73.5	148.8	253	328.4	747.5	860.3	1470.9	3105	
Gear Steps	3		4			5	6			
Output Speed(Ref.)	@ 60Hz	111.1	49.0	24.2	14.2	11.0	4.8	4.2	2.4	1.2
	@ 50Hz	92.6	40.8	20.2	11.9	9.1	4.0	3.5	2.0	1.0

- Depending on Motor spec and Gear Box reduction ratio combination, Output speed and Torque specification can differ.
- If Cooling Fan installed, Refer to Accessory Part. (Due to Fan installation, motor's length is extended).
- Please contact our sales department regarding other gear ratio.
- The speed is calculated by dividing the motors synchronous speed (50Hz : 3,000rpm, 60Hz : 3,600rpm) by the gear ratio.