



High Efficiency

PAF Series 3-Phase

1.5kW

■ SPECIFICATION

■ MOTOR

Output (kW)	Model Name	Poles	Voltage (V)	Freq. (Hz)	Rated Load			Duty	Degrees of protection	Insulation Classification	Protective Cooling System
					Current (A)	Speed (r/min)	Efficiency (%)				
1.5	PAF□-□-□E□150R4□	4	220/380	60	6,60/3,80	1755	85,0	CONT.	IP55	F	Totally Enclosed Fan-Cooled
	PAF□-□-□E□150W6□	4	200	50	6,70	1455	82,8				
			220	60	6,00	1750	85,0				
	PAF□-□-□E□150X6□	4	380/400	50	3,55/3,50	1450/1455	82,8/82,8				
			400/440	60	3,20/3,10	1745/1755	84,8/85,0				

- The Brake Geared Motor is divided into 2 models: one is a non-water proof product with IP40 while the other is a waterproof product with IP55.
- The Models with IP40 and IP55 have the same electric characteristics.

■ GEARED MOTOR – 50Hz

Frame No.	32					40					50				
Reduction gear ratio	5	10	15	20	25	30	40	50	60	80	★100	100	120	★160	★200
Rotation speed (r/min)	300	150	100	75	60	50	37,5	30	25	18,8	15	15	12,5	9,4	7,5
Allowable torque	kgf · m	4,6	9,3	13,9	18,5	23,1	27,8	35,8	44,8	53,8	71,7	73,9	89,6	108	125
	N · m	45	91	136	181	226	272	351	439	527	703	724	878	1060	1230
Allowable O.H.L	kgf	180	250	290	330	390	520	600	720	720	720	720	1000	1000	1000
	N	1760	2450	2840	3230	3820	5100	5880	7060	7060	7060	7060	9800	9800	9800

■ GEARED MOTOR – 60Hz

Frame No.	32					40					50				
Reduction gear ratio	5	10	15	20	25	30	40	50	60	80	★100	100	120	160	★200
Rotation speed (r/min)	360	180	120	90	72	60	45	36	30	22,5	18	18	15	11,2	9
Allowable torque	kgf · m	3,9	7,7	11,6	15,4	19,3	23,1	29,9	37,3	44,8	59,7	61,5	74,7	89,6	119
	N · m	38	75	114	151	189	226	293	366	439	585	603	732	878	1170
Allowable O.H.L	kgf	180	250	290	330	390	520	600	720	720	720	720	1000	1000	1000
	N	1760	2450	2840	3230	3820	5100	5880	7060	7060	7060	7060	9800	9800	9800

- Note) • Permissible O,H,L (allowable overhung load) is based on the central part of the outlet length for output shaft
 • Permissible Torque is limited for products with a mark "★" of reduction gear ratio
 • ■ Color indicates the same direction of motor rotation, while other color indicates the opposite direction of motor rotation.

Model Name Coding
▶ 36PageSpecification for output shaft
▶ 70PageTechnological Data
▶ 101Page



High Efficiency

PAF Series 3-Phase

2.2kW

■ SPECIFICATION

■ MOTOR

Output (kW)	Model Name	Poles	Voltage (V)	Freq. (Hz)	Rated Load			Duty	Degrees of protection	Insulation Classification	Protective Cooling System
					Current (A)	Speed (r/min)	Efficiency (%)				
2.2	PAF□-□-E□220R4□	4	220/380	60	7,80/4,50	1750	88,8	CONT.	IP55	F	Totally Enclosed Fan-Cooled
	PAF□-□-E□220W6□	4	200	50	8,70	1450	84,3				
			220	60	7,80	1750	88,8				
	PAF□-□-E□220X6□	4	380/400	50	4,55/4,50	1450/1455	84,3/84,3				
			400/440	60	4,20/4,00	1735/1755	87,9/88,6				

- The Brake Geared Motor is divided into 2 models: one is a non-water proof product with IP40 while the other is a waterproof product with IP55.
- The Models with IP40 and IP55 have the same electric characteristics.

■ GEARED MOTOR – 50Hz

Frame No.	40					50						
Reduction gear ratio	5	10	15	20	25	30	40	50	60	80	100	
Rotation speed (r/min)	300	150	100	75	60	50	37,5	30	25	18,8	15	
Allowable torque	kgf · m	6,8	13,6	20,4	27,1	33,9	40,7	52,6	65,7	78,9	105	125
	N · m	67	133	200	266	332	399	515	644	773	1029	1230
Allowable O.H.L	kgf	220	320	360	410	480	710	740	880	1000	1000	1000
	N	2160	3140	3530	4020	4700	6960	7250	8620	9800	9800	9800

■ GEARED MOTOR – 60Hz

Frame No.	40					50						
Reduction gear ratio	5	10	15	20	25	30	40	50	60	80	100	
Rotation speed (r/min)	360	180	120	90	72	60	45	36	30	22,5	18	
Allowable torque	kgf · m	5,7	11,3	17	22,6	28,3	33,9	43,8	54,8	65,7	87,6	110
	N · m	56	111	167	221	277	332	429	537	644	858	1080
Allowable O.H.L	kgf	220	320	360	410	480	710	740	880	1000	1000	1000
	N	2160	3140	3530	4020	4700	6960	7250	8620	9800	9800	9800

- Note) • Permissible O,H,L (allowable overhung load) is based on the central part of the outlet length for output shaft
 • ■ Color indicates the same direction of motor rotation, while other color indicates the opposite direction of motor rotation.

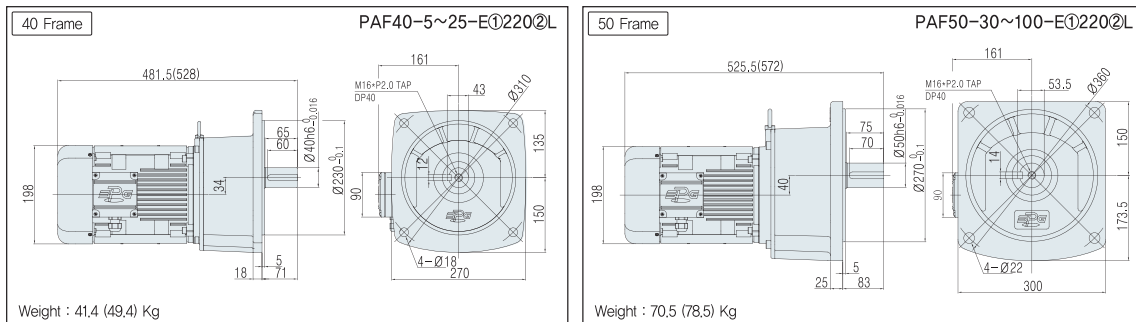
 Model Name Coding
 ▶ 36Page

 Specification for output shaft
 ▶ 70Page

 Technological Data
 ▶ 101Page

PAF TYPE DIMENSIONS [Lead wire Box Type & Terminal Box Type]

UNIT = mm

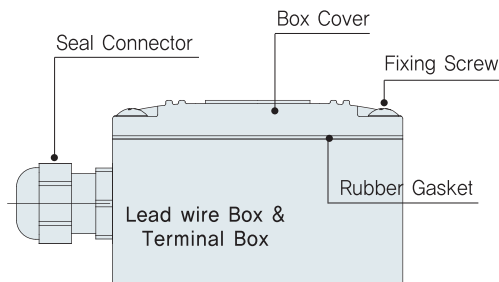


- Model type ① : Motor option (B, C, D)
- ② : Power (Voltage & Frequency)

Note) • Dimensions for IP40 model and IP55 model are the same.

- The brake-attached model is applied to the Terminal Box Type for basic features, but does not apply to the lead wire box type.
- () dimension and weight in dimensions is for brake attached model specification

Lead wire Box & Terminal Box



※ Geared motor with 1.5~2.2kW has the same feature for lead wire box and terminal box type.

MEMO