



High Efficiency

PAL Series 3-Phase

2.2kW

■ SPECIFICATION

■ MOTOR

Output (kW)	Model Name	Poles	Voltage (V)	Freq. (Hz)	Rated Load			Duty	Degrees of protection	Insulation Classification	Protective Cooling System
					Current (A)	Speed (r/min)	Efficiency (%)				
2.2	PAL□-□-E□220R4□	4	220/380	60	7,80/4,50	1750	88,8	CONT.	IP55	F	Totally Enclosed Fan-Cooled
	PAL□-□-E□220W6□	4	200	50	8,70	1450	84,3				
			220	60	7,80	1750	88,8				
	PAL□-□-E□220X6□	4	380/400	50	4,55/4,50	1450/1455	84,3/84,3				
			400/440	60	4,20/4,00	1735/1755	87,9/88,6				

- The Brake Geared Motor is divided into 2 models: one is a non-water proof product with IP40 while the other is a waterproof product with IP55.
- The Models with IP40 and IP55 have the same electric characteristics.

■ GEARED MOTOR – 50Hz

Frame No.	40					50						
Reduction gear ratio	5	10	15	20	25	30	40	50	60	80	100	
Rotation speed (r/min)	300	150	100	75	60	50	37,5	30	25	18,8	15	
Allowable torque	kgf · m	6,8	13,6	20,4	27,1	33,9	40,7	52,6	65,7	78,9	105	125
	N · m	67	133	200	266	332	399	515	644	773	1029	1230
Allowable O.H.L	kgf	220	320	360	410	480	710	740	880	1000	1000	1000
	N	2160	3140	3530	4020	4700	6960	7250	8620	9800	9800	9800

■ GEARED MOTOR – 60Hz

Frame No.	40					50						
Reduction gear ratio	5	10	15	20	25	30	40	50	60	80	100	
Rotation speed (r/min)	360	180	120	90	72	60	45	36	30	22,5	18	
Allowable torque	kgf · m	5,7	11,3	17	22,6	28,3	33,9	43,8	54,8	65,7	87,6	110
	N · m	56	111	167	221	277	332	429	537	644	858	1080
Allowable O.H.L	kgf	220	320	360	410	480	710	740	880	1000	1000	1000
	N	2160	3140	3530	4020	4700	6960	7250	8620	9800	9800	9800

- Note) • Permissible O,H,L (allowable overhung load) is based on the central part of the outlet length for output shaft
 • ■ Color indicates the same direction of motor rotation, while other color indicates the opposite direction of motor rotation.

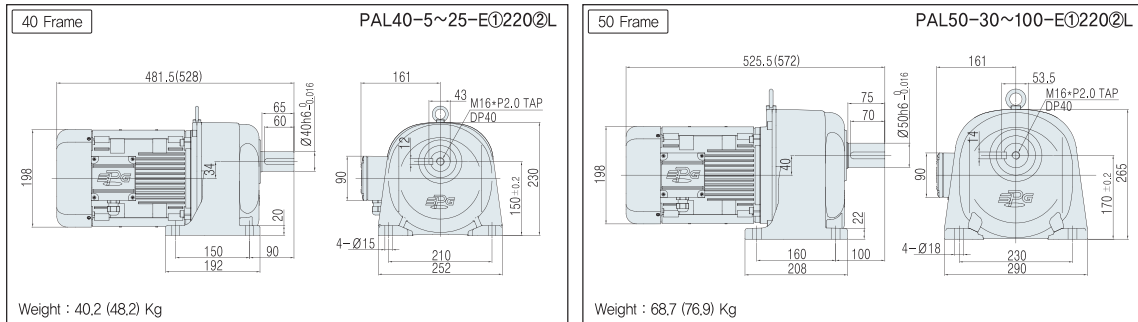
 Model Name Coding
 ▶ 36Page

 Specification for output shaft
 ▶ 70Page

 Technological Data
 ▶ 101Page

■ PAL TYPE DIMENSIONS [Lead wire Box Type & Terminal Box Type]

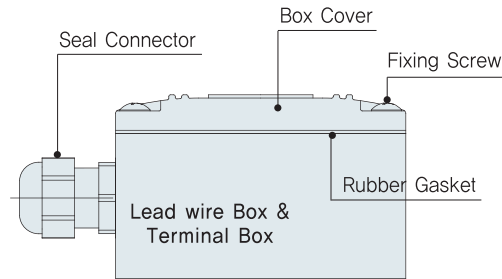
UNIT = mm



- Model type ① : Motor option
- ② : Power (Voltage & Frequency)

- Note)
- Dimensions for IP40 model and IP55 model are the same.
 - The brake-attached model is applied to the Terminal Box Type for basic features, but does not apply to the lead wire box type.
 - () dimension and weight in dimensions is for brake attached model specification

■ Lead wire Box & Terminal Box



※ Geared motor with 1.5~2.2kW has the same feature for lead wire box and terminal box type.

MEMO

BASIC MODEL INDUSTRIAL GEARED MOTOR

PAF Series

FLANGE MOUNTED TYPE

Basic Model

PAF TYPE

- ▶ Output range : 3phase 0.2~2.2kW
- ▶ Rated reduction gear ratio : 1/5~1/200



Product Coding

SERIES	MOUNTING	FRAME NO	RATIO	EFFICIENCY	TYPE	OUTPUT	VOLTAGE	LOCATION
PA	F	<input type="checkbox"/>	— <input type="checkbox"/>	— <input type="checkbox"/>	A&B C&D	<input type="checkbox"/>	<input type="checkbox"/>	<input type="checkbox"/>



PAF Series 3-Phase

0.2kW

■ SPECIFICATION

■ MOTOR

Output (kW)	Model Name	Poles	Voltage (V)	Freq. (Hz)	Rated Load			Duty	Degrees of protection	Insulation Classification	Protective Cooling System
					Current (A)	Speed (r/min)	Efficiency (%)				
0.2	PAF□-□-M□020R4□	4	220/380	60	1,10/0,60	1715	71,5	CONT.	IP55	F	Totally Enclosed Fan-Cooled
	PAF□-□-M□020W6□	4	200	50	1,10	1415	71,7				
			200/220	60	1,00/1,00	1690/1715	72,8/73,2				
	PAF□-□-M□020X6□	4	380/400	50	0,60/0,60	1410/1420	71,0/67,2				
			400/440	60	0,50/0,50	1700/1720	70,8/73,4				

- The Brake Geared Motor is divided into 2 models: one is a non-water proof product with IP40 while the other is a waterproof product with IP55.
- The Models with IP40 and IP55 have the same electric characteristics.

■ GEARED MOTOR – 50Hz

Frame No.	18					22					28					
Reduction gear ratio	5	10	15	20	25	30	40	50	60	80	100	100	120	160	200	
Rotation speed (r/min)	300	150	100	75	60	50	37,5	30	25	18,8	15	15	12,5	9,4	7,5	
Allowable torque	kgf · m	0,62	1,2	1,9	2,5	3,1	3,7	4,8	6	7,2	9,6	9,9	11,9	14,3	19,1	23,9
	N · m	6,1	11,8	18,6	24,5	30,4	36,3	47	58,8	70,6	94,1	97	117	140	187	234
Allowable O.H.L	kgf	60	90	100	120	130	180	190	200	220	250	250	290	340	350	350
	N	588	882	980	1180	1270	1760	1860	1960	2160	2450	2450	2840	3330	3430	3430

■ GEARED MOTOR – 60Hz

Frame No.	18					22					28					
Reduction gear ratio	5	10	15	20	25	30	40	50	60	80	100	100	120	160	200	
Rotation speed (r/min)	360	180	120	90	72	60	45	36	30	22,5	18	18	15	11,2	9	
Allowable torque	kgf · m	0,51	1	1,5	2,1	2,6	3,1	4	5	6	8	8,2	10	11,9	15,9	19,9
	N · m	5	9,8	14,7	20,6	25,5	30,4	39,2	49	58,8	78,4	80,4	98	117	156	195
Allowable O.H.L	kgf	60	90	100	120	130	180	190	200	220	250	250	290	340	350	350
	N	588	882	980	1180	1270	1760	1860	1960	2160	2450	2450	2840	3330	3430	3430

- Note) • Permissible O,H,L (allowable overhung load) is based on the central part of the outlet length for output shaft
 • ■ Color indicates the same direction of motor rotation, while other color indicates the opposite direction of motor rotation.