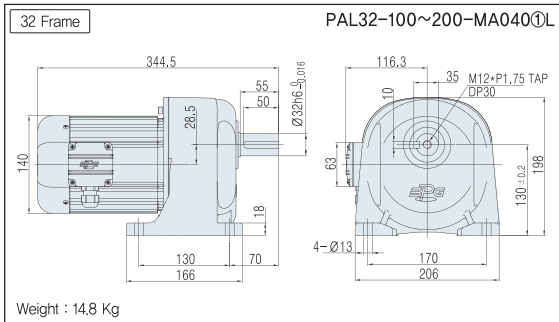
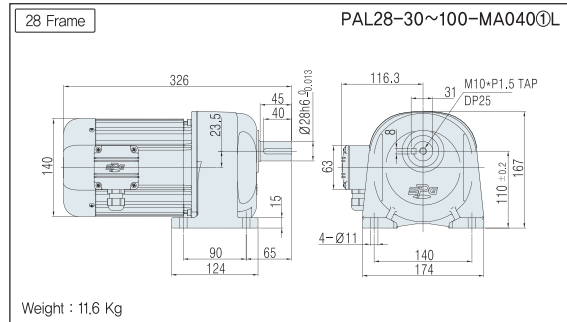
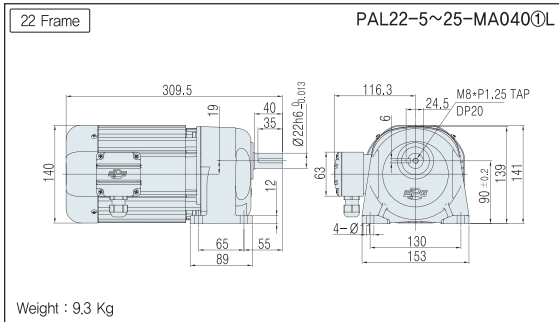


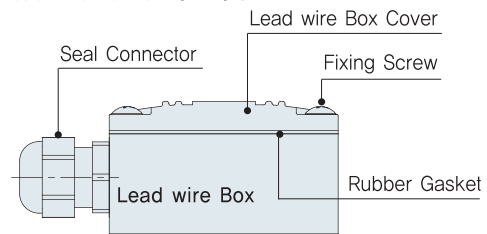
■ PAL TYPE DIMENSIONS [Lead wire Box Type]

UNIT = mm



• Model type ① : Power (Voltage & Frequency)

■ Lead wire Box for 0.2~0.75kW

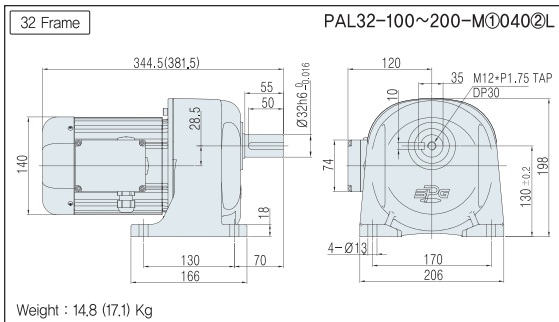
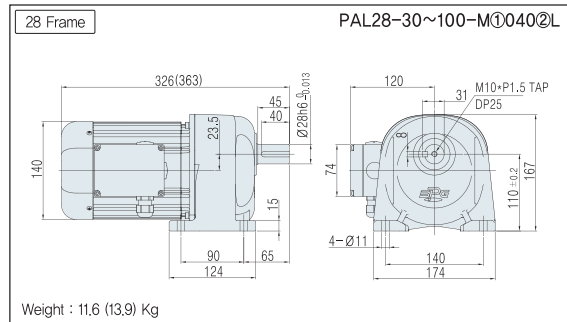
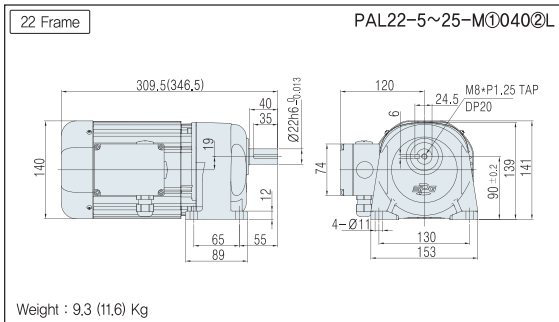


■ PAL TYPE DIMENSIONS [Terminal Box Type]

Note) • Dimensions for IP40 model and IP55 model are the same.

- The brake-attached model is applied to the Terminal Box Type for basic features, but does not apply to the lead wire box type.
- () dimension and weight in dimensions is for brake attached model specification

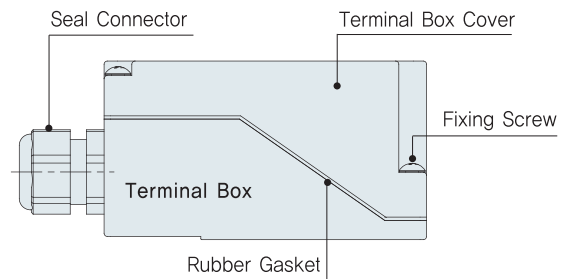
UNIT = mm



• Model type ① : Motor option (B, C, D)

② : Power (Voltage & Frequency)

■ Terminal Box for 0.2~0.75kW





High Efficiency

PAL Series 3-Phase

0.75kW

■ SPECIFICATION

■ MOTOR

Output (kW)	Model Name	Poles	Voltage (V)	Freq. (Hz)	Rated Load			Duty	Degrees of protection	Insulation Classification	Protective Cooling System
					Current (A)	Speed (r/min)	Efficiency (%)				
0.75	PAL□-□-E□075R4□	4	220/380	60	3,10/1,80	1705	82,8	CONT.	IP55	F	Totally Enclosed Fan-Cooled
	PAL□-□-E□075W6□	4	200	50	3,45	1415	79,6				
			220	60	3,10	1710	83,5				
	PAL□-□-E□075X6□	4	380/400	50	1,80/1,80	1420/1425	79,6/79,6				
			400/440	60	1,65/1,60	1700/1720	82,5/82,9				

- The Brake Geared Motor is divided into 2 models: one is a non-water proof product with IP40 while the other is a waterproof product with IP55.
- The Models with IP40 and IP55 have the same electric characteristics.

■ GEARED MOTOR – 50Hz

Frame No.	28					32					40					
Reduction gear ratio	5	10	15	20	25	30	40	50	60	80	★100	100	120	160	★200	
Rotation speed (r/min)	300	150	100	75	60	50	37.5	30	25	18,8	15	15	12,5	9,4	7,5	
Allowable torque	kgf · m	2,3	4,6	6,9	9,3	11,6	13,9	17,9	22,4	26,9	35,8	36,9	44,8	53,8	71,7	78
	N · m	23	45	68	91	114	136	175	220	264	351	362	439	527	703	764
Allowable O.H.L	kgf	130	180	220	240	250	410	430	470	560	600	600	720	720	720	720
	N	1270	1760	2160	2350	2450	4020	4210	4610	5490	5880	5880	7060	7060	7060	7060

■ GEARED MOTOR – 60Hz

Frame No.	28					32					40					
Reduction gear ratio	5	10	15	20	25	30	40	50	60	80	★100	100	120	160	200	
Rotation speed (r/min)	360	180	120	90	72	60	45	36	30	22,5	18	18	15	11,2	9	
Allowable torque	kgf · m	1,9	3,9	5,8	7,7	9,6	11,6	14,9	18,7	22,4	29,9	30,8	37,3	44,8	59,7	74,7
	N · m	19	38	57	75	94	114	146	183	220	293	302	366	439	585	732
Allowable O.H.L	kgf	130	180	220	240	250	410	430	470	560	600	600	720	720	720	720
	N	1270	1760	2160	2350	2450	4020	4210	4610	5490	5880	5880	7060	7060	7060	7060

- Note)
- Permissible O,H,L (allowable overhung load) is based on the central part of the outlet length for output shaft
 - Permissible Torque is limited for products with a mark "★" of reduction gear ratio
 - ■ Color indicates the same direction of motor rotation, while other color indicates the opposite direction of motor rotation.

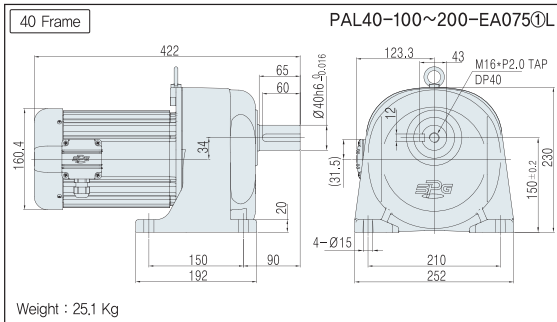
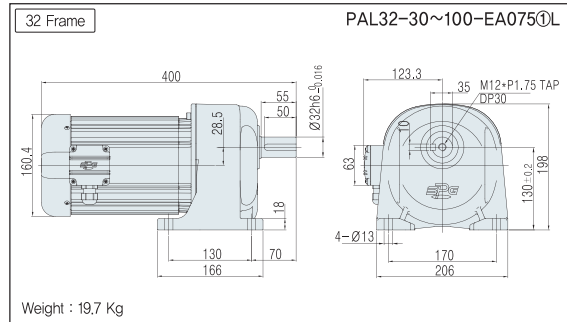
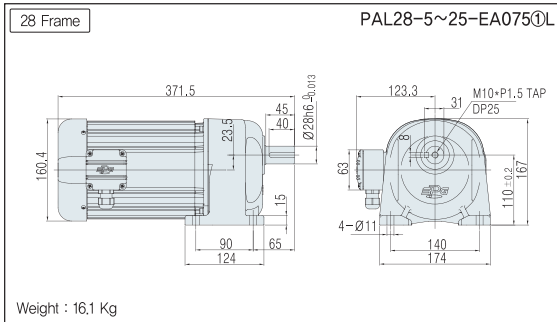
 Model Name Coding
 ▶ 36Page

 Specification for output shaft
 ▶ 70Page

 Technological Data
 ▶ 101Page

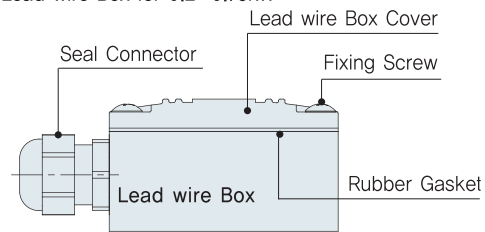
■ PAL TYPE DIMENSIONS [Lead wire Box Type]

UNIT = mm



• Model type ① : Power (Voltage & Frequency)

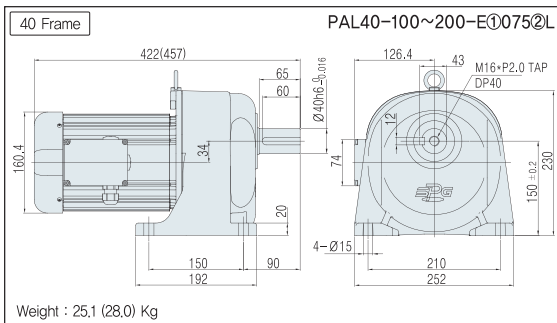
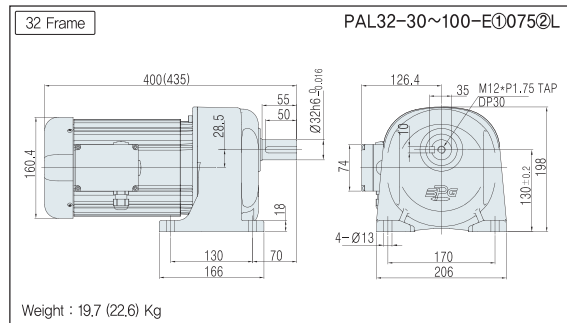
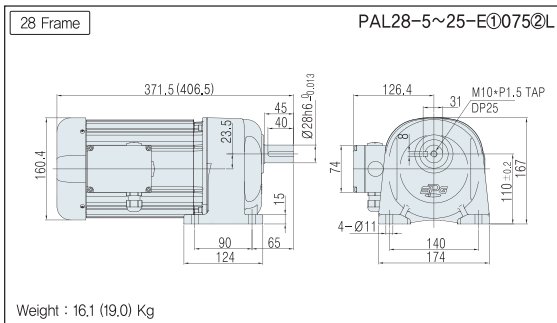
■ Lead wire Box for 0.2~0.75kW



■ PAL TYPE DIMENSIONS [Terminal Box Type]

- Note) • Dimensions for IP40 model and IP55 model are the same.
 • The brake-attached model is applied to the Terminal Box Type for basic features, but does not apply to the lead wire box type.
 • () dimension and weight in dimensions is for brake attached model specification

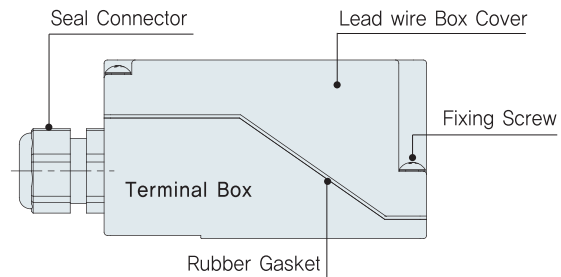
UNIT = mm



• Model type ① : Motor option (B, C, D)

② : Power (Voltage & Frequency)

■ Terminal Box for 0.2~0.75kW





High Efficiency

PAL Series 3-Phase

1.5kW

■ SPECIFICATION

■ MOTOR

Output (kW)	Model Name	Poles	Voltage (V)	Freq. (Hz)	Rated Load			Duty	Degrees of protection	Insulation Classification	Protective Cooling System
					Current (A)	Speed (r/min)	Efficiency (%)				
1.5	PAL□-□-E□150R4□	4	220/380	60	6,60/3,80	1755	85,0	CONT.	IP55	F	Totally Enclosed Fan-Cooled
	PAL□-□-E□150W6□	4	200	50	6,70	1455	82,8				
			220	60	6,00	1750	85,0				
	PAL□-□-E□150X6□	4	380/400	50	3,55/3,50	1450/1455	82,8/82,8				
			400/440	60	3,20/3,10	1745/1755	84,8/85,0				

- The Brake Geared Motor is divided into 2 models: one is a non-water proof product with IP40 while the other is a waterproof product with IP55.
- The Models with IP40 and IP55 have the same electric characteristics.

■ GEARED MOTOR – 50Hz

Frame No.	32					40					50					
Reduction gear ratio	5	10	15	20	25	30	40	50	60	80	★100	100	120	★160	★200	
Rotation speed (r/min)	300	150	100	75	60	50	37,5	30	25	18,8	15	15	12,5	9,4	7,5	
Allowable torque	kgf · m	4,6	9,3	13,9	18,5	23,1	27,8	35,8	44,8	53,8	71,7	73,9	89,6	108	125	125
	N · m	45	91	136	181	226	272	351	439	527	703	724	878	1060	1230	1230
Allowable O.H.L	kgf	180	250	290	330	390	520	600	720	720	720	720	1000	1000	1000	1000
	N	1760	2450	2840	3230	3820	5100	5880	7060	7060	7060	7060	9800	9800	9800	9800

■ GEARED MOTOR – 60Hz

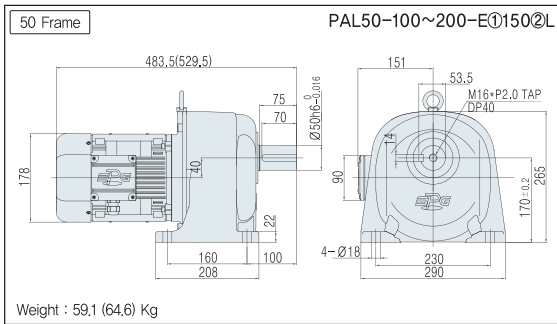
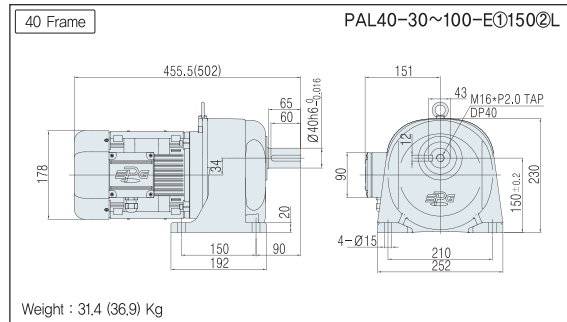
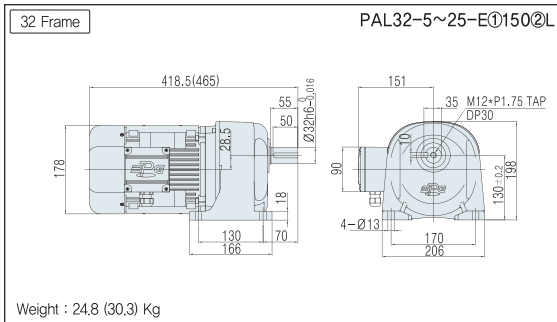
Frame No.	32					40					50					
Reduction gear ratio	5	10	15	20	25	30	40	50	60	80	★100	100	120	160	★200	
Rotation speed (r/min)	360	180	120	90	72	60	45	36	30	22,5	18	18	15	11,2	9	
Allowable torque	kgf · m	3,9	7,7	11,6	15,4	19,3	23,1	29,9	37,3	44,8	59,7	61,5	74,7	89,6	119	125
	N · m	38	75	114	151	189	226	293	366	439	585	603	732	878	1170	1230
Allowable O.H.L	kgf	180	250	290	330	390	520	600	720	720	720	720	1000	1000	1000	1000
	N	1760	2450	2840	3230	3820	5100	5880	7060	7060	7060	7060	9800	9800	9800	9800

- Note) • Permissible O,H,L (allowable overhung load) is based on the central part of the outlet length for output shaft
 • Permissible Torque is limited for products with a mark "★" of reduction gear ratio
 • ■ Color indicates the same direction of motor rotation, while other color indicates the opposite direction of motor rotation.

Model Name Coding
▶ 36PageSpecification for output shaft
▶ 70PageTechnological Data
▶ 101Page

■ PAL TYPE DIMENSIONS [Lead wire Box Type & Terminal Box Type]

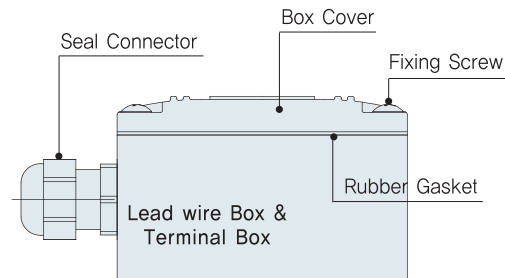
UNIT = mm



- Model type ① : Motor option
- ② : Power (Voltage & Frequency)

- Note)
- Dimensions for IP40 model and IP55 model are the same.
 - The brake-attached model is applied to the Terminal Box Type for basic features, but does not apply to the lead wire box type.
 - () dimension and weight in dimensions is for brake attached model specification

■ Lead wire Box & Terminal Box



※ Geared motor with 1.5~2.2kW has the same feature for lead wire box and terminal box type.