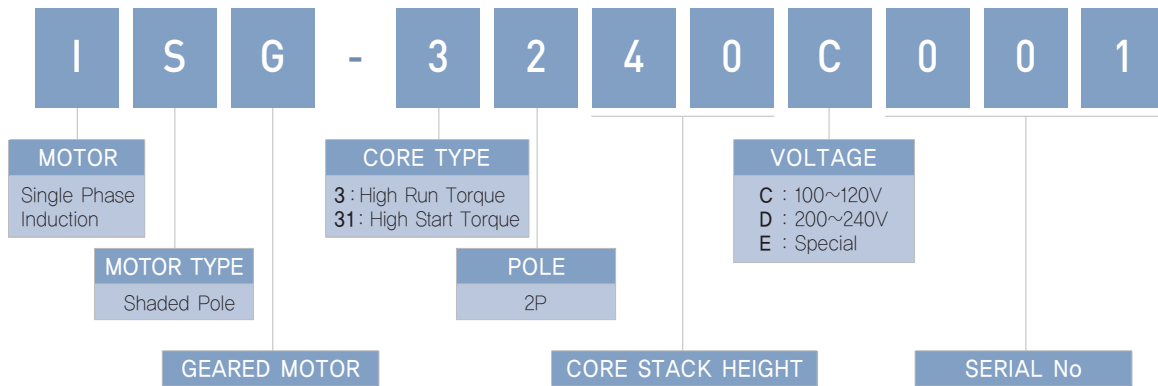
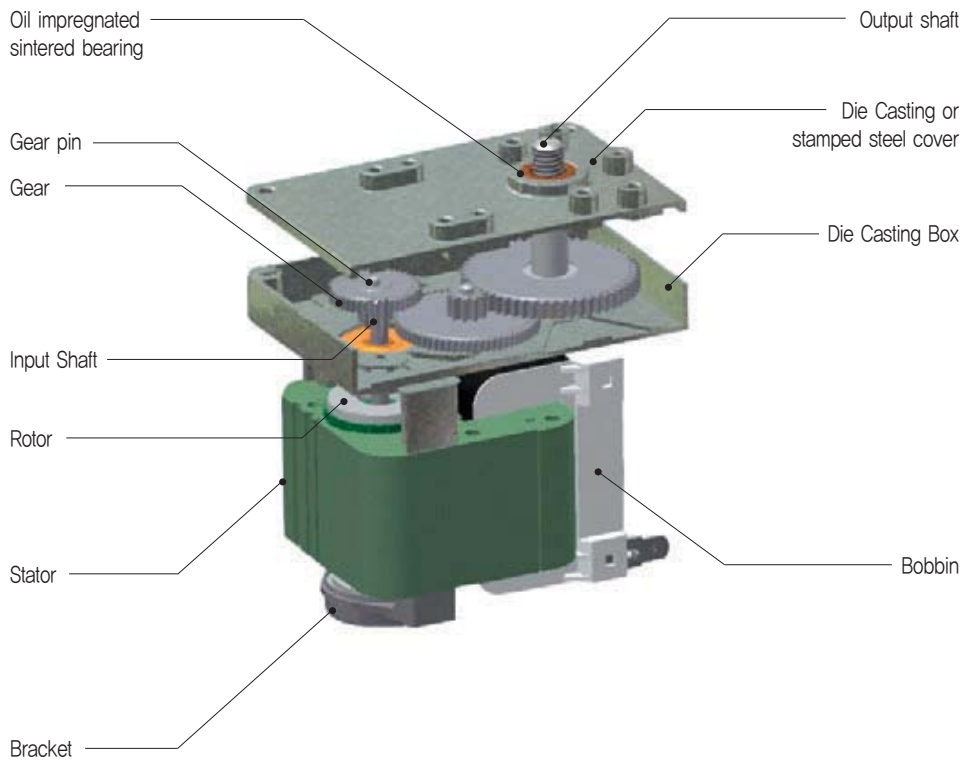


CODING SYSTEM

■ Coding System



■ Typical Geared Motor Construction



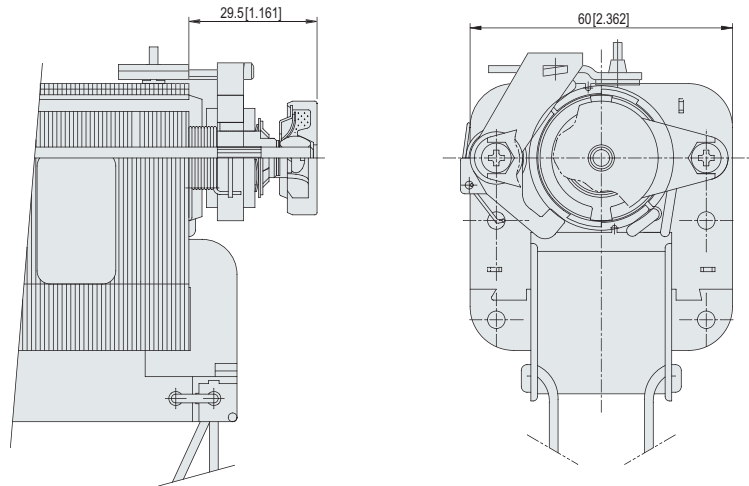


ACCESSORY CLUTCH BRAKE

motor ISG-3 Type

DIMENSION

UNIT : mm[inch]



- It is a dedicated ISG-3 TYPE.(CORE STACK 25 Min.)
- If Clutch installed, Note that it during designing, as overall length for motor increases.
- Warranty service Life : MIN. 200-thousand cycle.
- Contact with us for specification of other product.



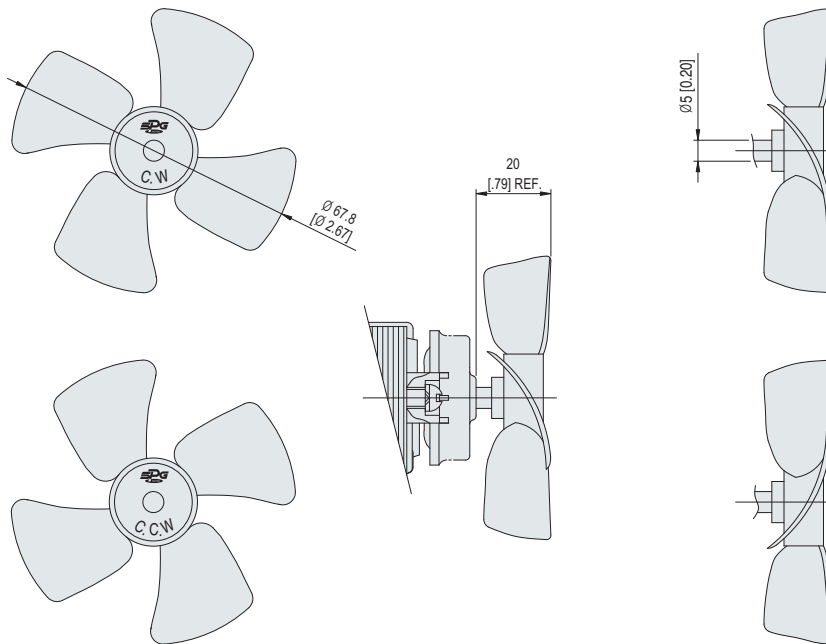
ACCESSORY FAN: SF-0568CW



ACCESSORY FAN: SF-0568CCW

DIMENSION

UNIT : mm[inch]



- It is installed in the a set having trouble for temperature increase, or motor required continuous operation.
- Above fan is the unit for protect motor's overheating, cooling capability of the fan can vary according with ambient temperature and conditions.
- After installing the fan, motor rear section is increased approximately 20mm [], Proper space should be ensured within the set for operating the fan.
- Direction of applied fan can vary according with the stage number of reduction speed.